

0CW10-M30301EN

P R E F A C E

1. This parts catalog is the 2nd edition of 4TNV98-GPGE, 4TNV98-IGPGE for PRAMAC.

Pub.No. : 0CW10-G30301

Published : February, 2012

2. Model name

Engine model	Vehicle	Vehicle made by
4TNV98-GPGE 4TNV98-IGPGE	GENERATOR	PRAMAC

Directions for the Parts Catalog.

1. This Parts Catalog shows both standard and optional parts.
2. Parts may change without prior notice.
3. The following is an example of the Parts Catalog format.

REF.	LEV.	PARTS NO.	DESCRIPTION	Q'TY						I	R
				(A)	(B)	(C)	(D)	(E)	(F)		
1	1	729595-51390	FUEL INJECTION PUMP	1	1	1	1	1			1
1-1	1	729595-51391	FUEL INJECTION PUMP	1	1	1	1	1		N	1
		(A=E00185) (B=E00200)									
3	2	26022-060162	SCREW M 6X 16	9	9	9	9	9			
3-1	2	26022-060162	SCREW M 6X 16	4	4	4	4	4		K	
		(A=E00156) (B=E00156) (C=E00156) (D=E00156) (E=E00156)									
4	2	129470-51040	CAMSHAFT	1	1	1	1	1			
5	2	122710-51050	BEARING, ROLLER	2	2	2	2	2			
6	2	129470-51060	RETAINER	1	1	1	1	1			

Remarks
(1) BOOST COMPEMSATOR TYPE. OPTIONAL PART, TO E00155,(4JH-DT, 4JH-DTZ

① Ref. No.

The Ref. No. listed may not be in accordance with the illustration Ref. No.

(Ex.) Illustration No.

List Ref No.

1

1

(Before change)

1-1

(After change)

For interchangeable symbols N, R and K, illustrations for new parts may be abbreviated.

② Lev. (Level)

Level indication

The numbers below indicate the level of relativity towards the main part.

1 ----- Main parts (Assembly parts)

2 ----- Sub component included in " 1 ".

3 ----- Sub component included in " 2 ".

Note) Parts that are not for sale are partially illustrated but not listed.

③ Interchangeability Symbol

When a part change takes place, one of the following interchangeability symbols is indicated beside the part.

Symbol	Interchangeability	Contents note
N	Old $\begin{matrix} \leftarrow \text{Yes} \\ \text{No} \rightarrow \end{matrix}$ New	New Part is interchangeable for Old Part but Old Part is not interchangeable for New Part.
Q	Old $\begin{matrix} \leftarrow \text{No} \\ \text{Yes} \rightarrow \end{matrix}$ New	New Part is not interchangeable for Old Part but Old Part is interchangeable for New Part.
R	Old $\begin{matrix} \leftarrow \text{Yes} \\ \text{Yes} \rightarrow \end{matrix}$ New	New/ Old Parts are both interchangeable.
S	Old $\begin{matrix} \leftarrow \text{No} \\ \text{No} \rightarrow \end{matrix}$ New	New/ Old Parts are both not interchangeable.
W		Part newly added.
Z		Part discontinued.
F		Not interchangeable by a single part but interchangeable together with related parts.
K		Changes only for used parts quantities.

④ Effective Machine No.

When a part changes, the effective Machine No. will be indicated in the (A)-(F) column.

Product Symbol	Product No.	Product Symbol	Product No.
C	Clutch No. Compressor No.	F	Machine No. (Agricultural Equip.)
D	Drive No.	M	Machine No.
E	Engine No.		

Note 1) A date may follow the symbol. (Ex.) 1996.01

Note 2) "XXXXX" and "ZZZZZ" are for parts that could not be predicted or for engine models that could not be identified.

Note 3) (A=E00185) is the E (Engine Serial Number) for the column (A) model (in this case 4JH-DT) after the parts design change.

⑤ Remarks

Figures or alphabets (symbols) are entered in the remarks column.

The comments (remarks) on parts that are indicated at the bottom of the illustration are the same symbols as those stated above.

Contents

Fig. No. Fig. Name
4TNV98-GPGE,4TNV98-IGPGE

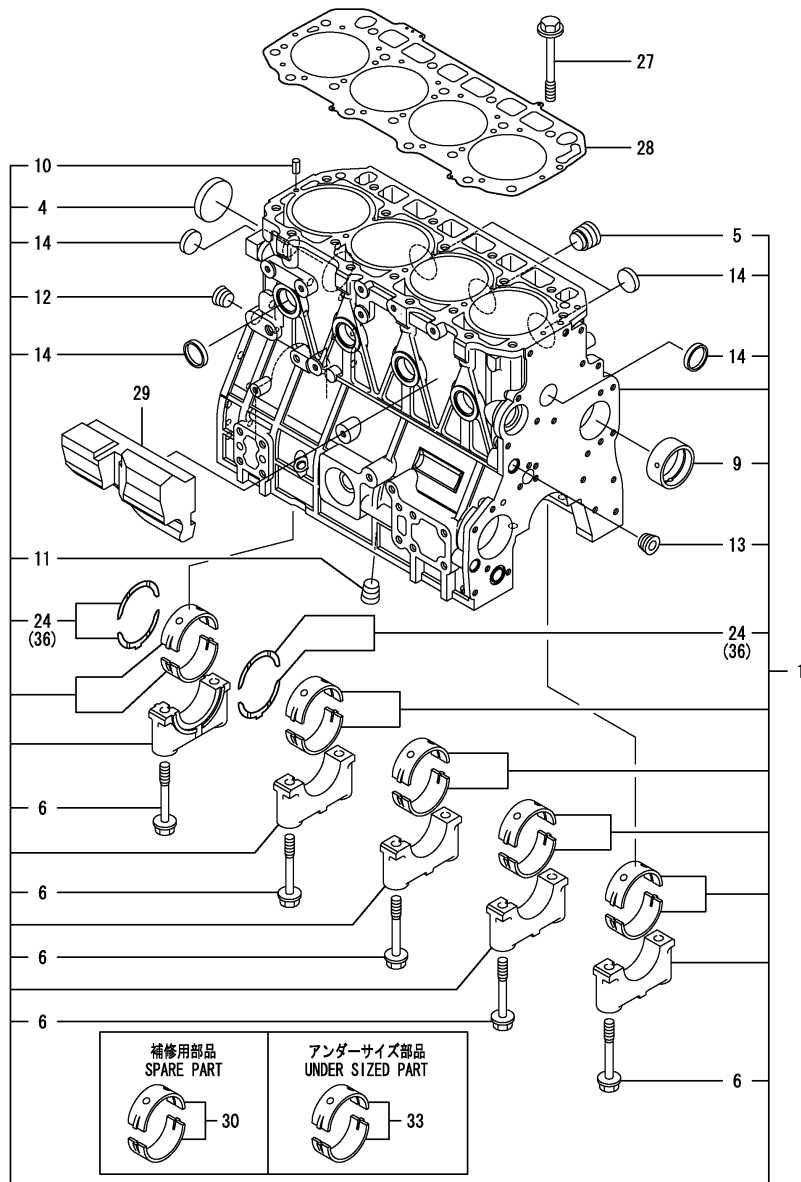
Fig. No. Fig. Name

1. CYLINDER BLOCK
2. GEAR HOUSING
3. FLYWHEEL HOUSING & OIL SUMP
4. CYLINDER HEAD & BONNET
5. SUCTION MANIFOLD & AIR CLEANER
6. EXHAUST MANIFOLD
7. CAMSHAFT & DRIVING GEAR
8. CRANKSHAFT & PISTON
9. LUB. OIL SYSTEM
10. COOLING WATER SYSTEM
11. FUEL INJECTION PUMP
12. GOVERNOR
13. FUEL INJECTION PUMP
14. GOVERNOR
15. FUEL INJECTION VALVE
16. FUEL LINE
17. STARTING MOTOR
18. GENERATOR
19. GASKET SET

Fig.1. CYLINDER BLOCK

(A)=4TNV98-GPGE
 (B)=4TNV98-IGPGE
 (C)=

(D)=
 (E)=
 (F)=



No.	Lev.	Parts No.	Description	Q'ty						I	R
				(A)	(B)	(C)	(D)	(E)	(F)		
1	1	729907-01560	BLOCK ASSY, CYLINDER	1	1						
4	2	129900-01250	PLUG, 55	1	1						
5	2	171051-01921	PLUG, NPTF1	1	1						
6	2	129900-02020	BOLT, METAL CAP	10	10						
9	2	129900-02410	BUSH, CAMSHAFT	1	1						
10	2	22351-060012	PIN, SPRING 6.0X12	2	2						
11	2	23876-030000	PLUG, R03	1	1						
12	2	23876-030000	PLUG, R03	1	1						
13	2	23876-030000	PLUG, R03	1	1						
14	2	27241-300000	PLUG 30	8	8						
24	2	129900-02931	BEARING, THRUST	2	2						
27	1	129900-01200	BOLT, HEAD	18	18						
28	1	129907-01331	GASKET, HEAD	1	1						
29	1	129907-01190	SPACER	1	1						
30	1	729900-02801	BEARING, MAIN	5	5						1
33	1	129900-02341	BEARING, 0.25 US	5	5						2
36	1	129900-02941	BEARING, THRUST 0.25	2	2						3

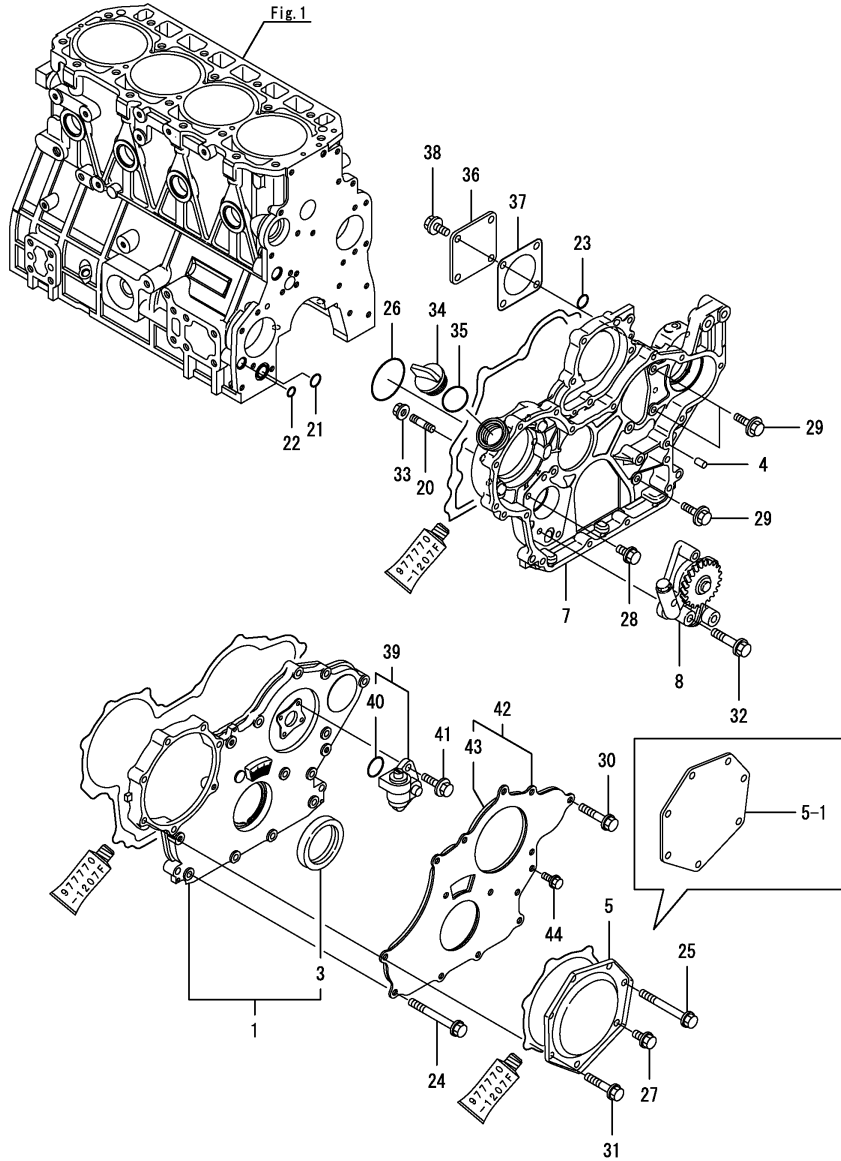
Remarks

- (1) Spare part.
- (2) Under-sized(U.S.=0.25)part.
- (3) Over-sized(O.S.=0.25)part.

Fig.2. GEAR HOUSING

(A)=4TNV98-GPGE
(B)=4TNV98-IGPGE
(C)=

(D)=
(E)=
(F)=

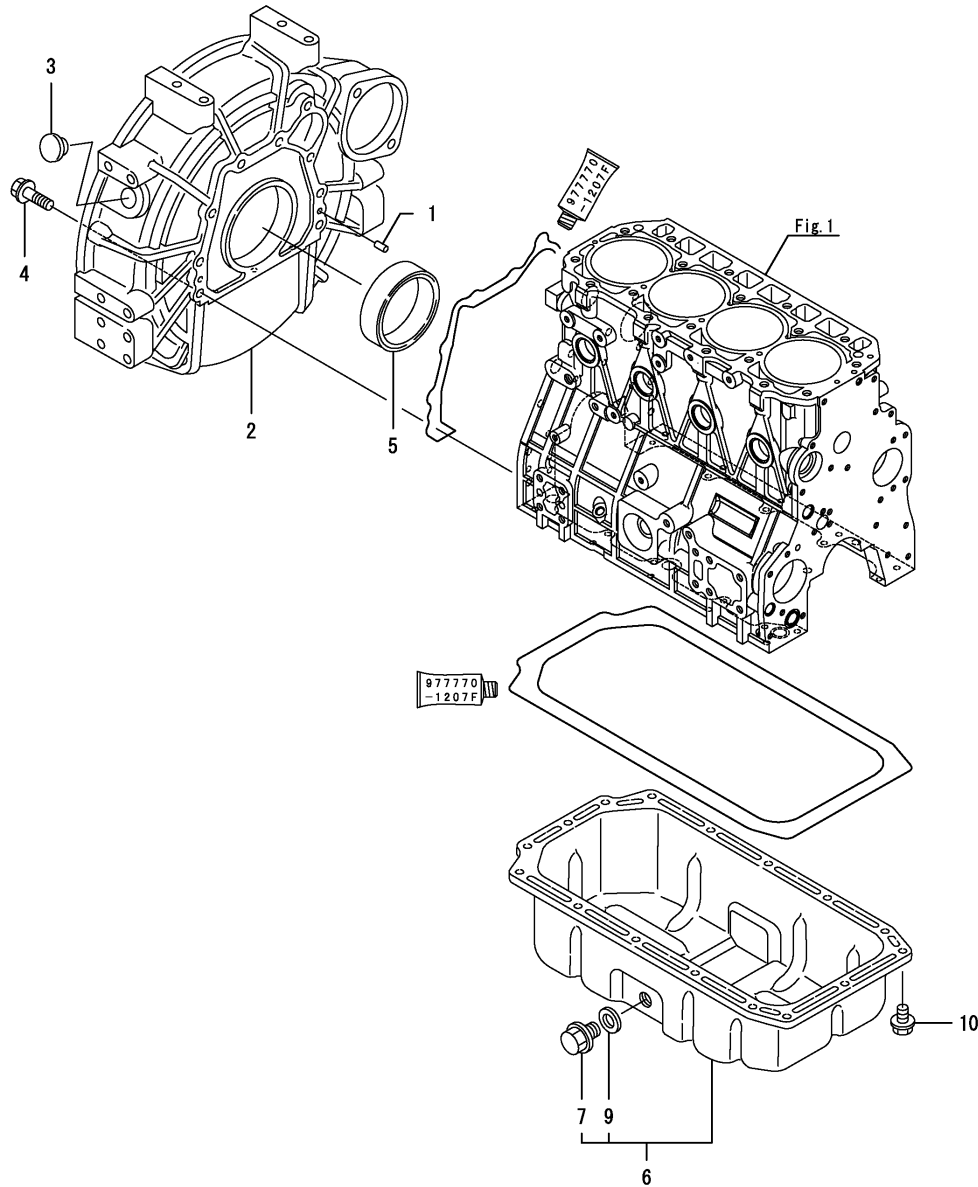


No.	Lev.	Parts No.	Description	Q'ty						I	R
				(A)	(B)	(C)	(D)	(E)	(F)		
1	1	729907-01590	COVER ASSY,GEAR CASE	1	1						
3	2	129916-01800	SEAL, OIL	1	1						
4	1	129100-01580	PIN, M8X16	4	4						
5	1	129900-01740	COVER	1							
5-1	1	129951-01740	COVER	1	1						F 1
(A=EB8676)											
7	1	129907-01500	CASE, GEAR	1	1						
8	1	129900-32001	PUMP ASSY, OIL	1	1						
20	1	26216-100302	STUD, M10X 30	4	4						
21	1	129900-32030	O-RING, P20	1	1						
22	1	129900-32040	O-RING, P14	1	1						
23	1	24311-000070	O-RING, 1AP7.0	1	1						
24	1	129001-91810	BOLT, M8X70	6							
24-1	1	26106-080702	BOLT, M8X 70 PLATED	6	6						R
(A=EXXXXX)											
25	1	129001-91810	BOLT, M8X70	1							
25-1	1	26106-080702	BOLT, M8X 70 PLATED	1							R
(A=EXXXXX)											
25-2	1	26106-080752	BOLT, M8X 75 PLATED	1	1						N
(A=EB8676)											
26	1	24351-030750	O-RING, 1A3075	1	1						
27	1	26106-080162	BOLT, M8X 16 PLATED	1							
27-1	1	26106-080202	BOLT, M8X 20 PLATED	1	1						N
(A=EB8676)											
28	1	26106-080162	BOLT, M8X 16 PLATED	1	1						
29	1	26106-080202	BOLT, M8X 20 PLATED	3	3						
30	1	26106-080402	BOLT, M8X 40 PLATED	5	5						
31	1	26106-080402	BOLT, M8X 40 PLATED	5							
31-1	1	26106-080452	BOLT, M8X 45 PLATED	5	5						N
(A=EB8676)											
32	1	26106-080452	BOLT, M8X 45 PLATED	3	3						
33	1	26306-100002	NUT, M10	4	4						
34	1	124160-01751	COVER, FILLER	1	1						
35	1	24311-000320	O-RING, 1AP32.0	1	1						
36	1	124240-01871	COVER	1	1						
37	1	124240-01883	GASKET	1	1						
38	1	26106-080162	BOLT, M8X 16 PLATED	4	4						
39	1	129150-91400	GEAR	1	1						
40	2	24341-000240	O-RING, 1AS24.0	1	1						
41	1	26106-060162	BOLT, M6X 16 PLATED	2	2						
42	1	129900-01850	COVER ASSY,GEAR CASE	1	1						
43	2	129900-01870	SPONGE	1	1						
44	1	26106-080162	BOLT, M8X 16 PLATED	3	3						

Remarks

(1)Ref.5 is interchangeable with a set of 5-1,25-2,27-1 & 31-1.

Fig.3. FLYWHEEL HOUSING & OIL SUMP

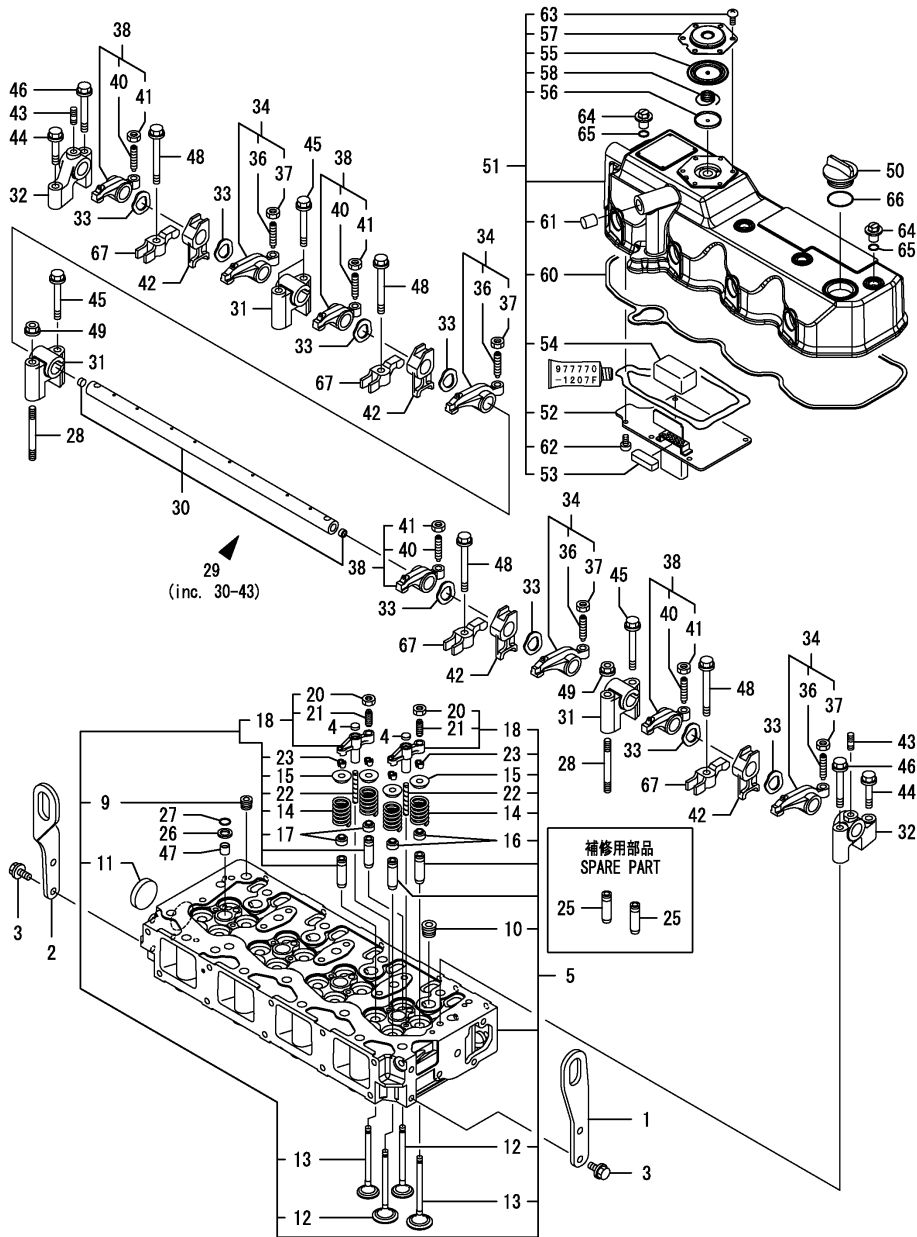


(A)=4TNV98-GPGE
 (B)=4TNV98-IGPGE
 (C)=

(D)=
 (E)=
 (F)=

No.	Lev.	Parts No.	Description	Qty						I	R
				(A)	(B)	(C)	(D)	(E)	(F)		
1	1	129100-01580	PIN, M8X16	2	2						
2	1	129915-01610	HOUSING, FLYWHEEL	1	1						
3	1	119000-01840	PLUG, RUBBER	1	1						
4	1	26206-100352	BOLT, M10X 35 PLATED	9	9						
5	1	124411-01780	SEAL, HTC95X115X12	1							
5-1	1	129916-01790	SEAL, D115/95XT11	1	1						N
(A=ED7373)											
6	1	129982-01710	SUMP ASSY, OIL	1	1						
7	2	119640-01640	PLUG, DRAIN M22	1	1						
9	2	22190-220002	WASHER, SEAL 22	1	1						
10	1	26106-080122	BOLT, M8X 12 PLATED	16	16						

Fig.4. CYLINDER HEAD & BONNET



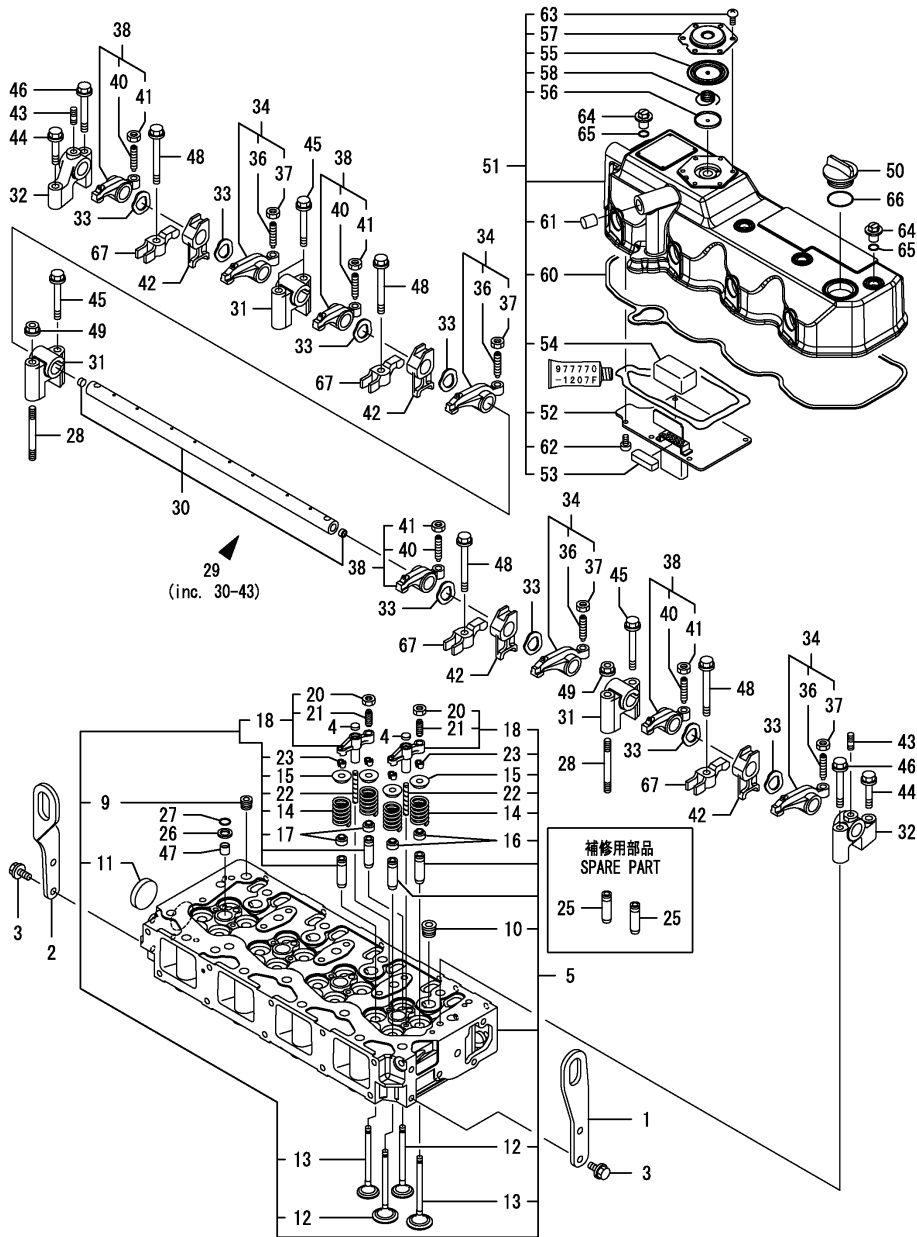
(A)=4TNV98-GPGE
(B)=4TNV98-IGPGE
(C)=

(D)=
(E)=
(F)=

No.	Lev.	Parts No.	Description	Q'ty						I	R
				(A)	(B)	(C)	(D)	(E)	(F)		
1	1	129907-07900	LIFTER	1	1						
2	1	129910-07900	LIFTER	1	1						
3	1	26106-080162	BOLT, M8X 16 PLATED	4	4						
4	1	123907-11550	SEAT, VALVE BRIDGE	8	8						
5	1	129907-11700	HEAD ASSY, CYLINDER	1	1						
9	2	23876-020000	PLUG, R02	1	1						
10	2	23876-030000	PLUG, R03	4	4						
11	2	27241-400000	PLUG, 40	1	1						
12	2	129907-11100	VALVE, INTAKE	8	8						
13	2	129907-11110	VALVE, EXHAUST	8	8						
14	2	129907-11120	SPRING, VALVE	16	16						
15	2	119620-11180	RETAINER, SPRING	16	16						
16	2	124160-11340	SEAL, VALVE STEM	8	8						
17	2	119803-11340	SEAL, VALVE STEM	8	8						
18	2	129907-11510	BRIDGE ASSY, VALVE	8	8						
20	3	129150-11750	NUT, M8	8	8						
21	3	123907-11830	ADJUSTER	8	8						
22	2	123907-11820	GUIDE	8	8						
23	2	27310-070001	COTTER, 7	16	16						
25	1	129907-11800	GUIDE, VALVE	16	16						1
26	1	119625-11880	SEAT, NOZZLE	4	4						
27	1	24311-000120	O-RING, 1AP12.0	4	4						
28	1	119593-11301	STUD, M8X80	2	2						
29	1	129907-11341	SHAFT ASSY, ROCKER	1	1						
30	2	129907-11250	SHAFT, ROCKER ARM	1	1						
31	2	129907-11260	SUPPORT, ROCKER ARM	3	3						
32	2	129907-11270	SUPPORT, ROCKER ARM	2	2						
33	2	123907-11280	WASHER	8	8						
34	2	129907-11650	ARM, ROCKER	4	4						
36	3	129150-11230	SCREW, VALVE ADJUST	4	4						
37	3	129150-11750	NUT, M8	4	4						
38	2	129907-11660	ARM, ROCKER	4	4						
40	3	129150-11230	SCREW, VALVE ADJUST	4	4						
41	3	129150-11750	NUT, M8	4	4						
42	2	129907-11920	RETAINER	4	4						
43	2	26226-080222	STUD, M8X 22	2	2						
44	1	26106-080402	BOLT, M8X 40 PLATED	2	2						
45	1	26106-080602	BOLT, M8X 60 PLATED	4	4						
46	1	26106-080602	BOLT, M8X 60 PLATED	2	2						
47	1	119802-11870	PROTECTOR, NOZZLE	4	4						
48	1	129907-11950	BOLT, M8X75	4	4						
49	1	26306-080002	NUT, M8	2	2						
50	1	124160-01751	COVER, FILLER	1	1						
51	1	129907-11321	BONNET ASSY, HEAD	1	1						
52	2	129907-03011	PLATE	1	1						
53	2	129907-03061	BAFFLE, BREATHER	1	1						
54	2	129907-03070	BAFFLE, BREATHER	1	1						
55	2	123907-03100	DIAPHRAGM	1	1						
56	2	123907-03110	PLATE	1	1						
57	2	123907-03120	PLATE, BREATHER	1	1						
58	2	123907-03140	SPRING, DIAPHRAGM	1	1						

Remarks
(1) Spare part.

Fig.4. CYLINDER HEAD & BONNET



(A)=4TNV98-GPGE
(B)=4TNV98-IGPGE
(C)=

(D)=
(E)=
(F)=

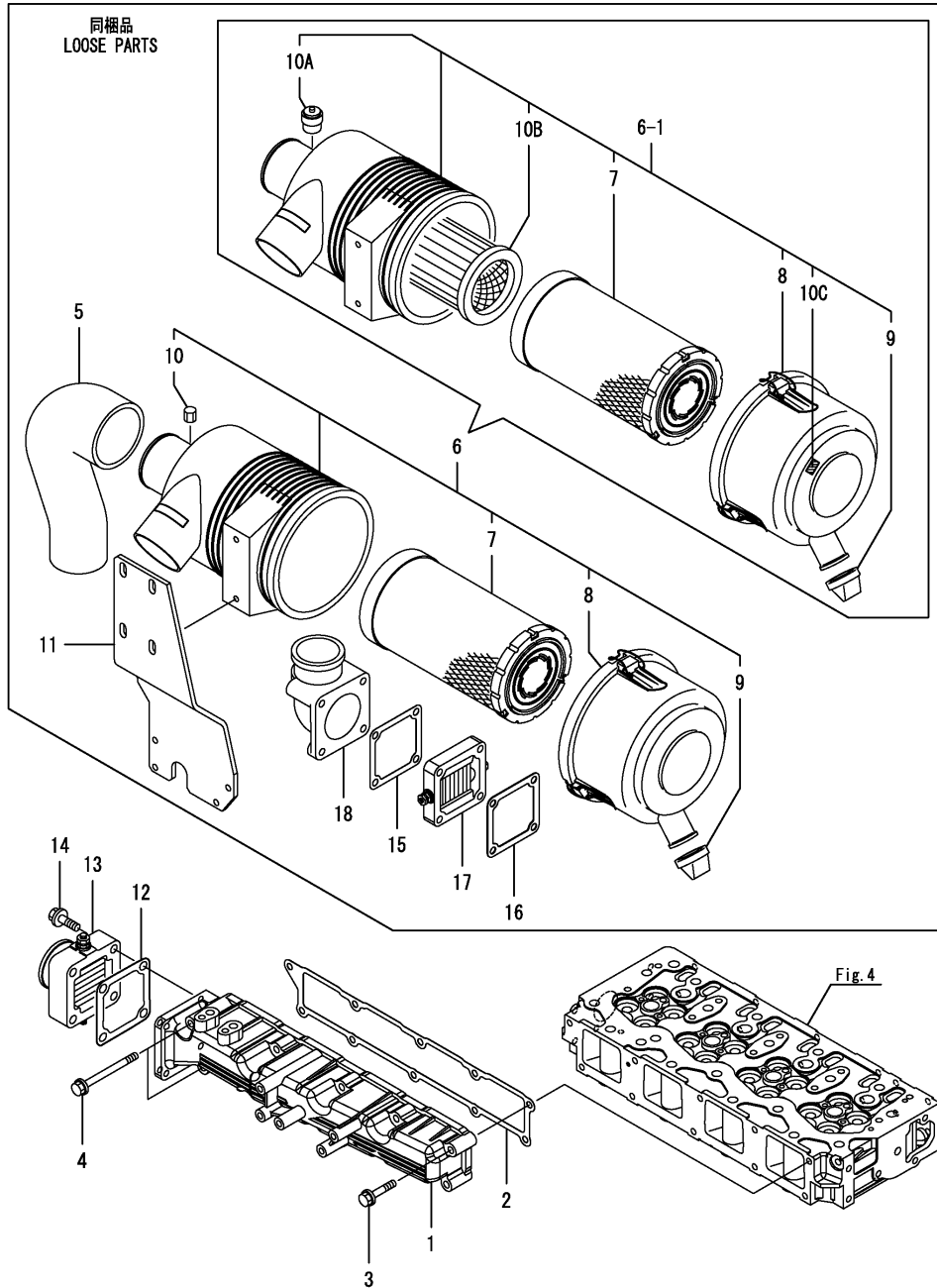
No.	Lev.	Parts No.	Description	Q'ty						I	R
				(A)	(B)	(C)	(D)	(E)	(F)		
60	2	129933-11310	GASKET, BONNET	1	1						
61	2	119640-61400	PLUG	1	1						
62	2	22857-500100	SCREW, 5X10		6						
63	2	22857-500100	SCREW, 5X10	6	6						
64	1	124160-11360	KNOB	4	4						
65	1	24311-000120	O-RING, 1AP12.0	4	4						
66	1	24311-000320	O-RING, 1AP32.0	1	1						
67	1	129907-11910	RETAINER, NOZZLE	4	4						

Remarks
(1) Spare part.

Fig.5. SUCTION MANIFOLD & AIR CLEANER

(A)=4TNV98-GPGE
(B)=4TNV98-IGPGE
(C)=

(D)=
(E)=
(F)=



No.	Lev.	Parts No.	Description	Q'ty						I	R
				(A)	(B)	(C)	(D)	(E)	(F)		
1	1	129944-12110	MANIFOLD, AIR INTAKE	1							
1-1	1	129944-12111	MANIFOLD, AIR INTAKE	1	1						R
(A=EJ8099)											
2	1	129907-12110	GASKET, MANIFOLD	1	1						
3	1	26106-080452	BOLT, M8X 45 PLATED	8	8						
4	1	26106-080802	BOLT, M8X 80 PLATED	2	2						
5	1	129944-12230	PIPE, AIR INTAKE	1	1						
6	1	129933-12500	CLEANER ASSY, AIR	1							
6-1	1	129937-12500	CLEANER ASSY, AIR	1	1						N
(A=ED7373)											
7	2	129935-12520	ELEMENT	1	1						
8	2	119160-12530	COVER ASSY	1	1						
9	2	119160-12540	VALVE	1	1						
10	2	121820-12590	NIPPLE	1							Z
(A=ED7373)											
10A	2	126650-12680	INDICATOR	1	1						W
(A=ED7373)											
10B	2	119160-12570	ELEMENT	1	1						W
(A=ED7373)											
10C	2	129612-12650	LABEL, MARKING	1	1						W
(A=ED7373)											
11	1	129944-12620	BRACKET, AIR CLEANER	1	1						
12	1	121850-77021	GASKET	1	1						
13	1	129915-77051	HEATER	1	1						
14	1	26106-080352	BOLT, M8X 35 PLATED	4	4						
15	1	119129-77020	GASKET	1	1						
16	1	121850-77021	GASKET	1	1						
17	1	119005-77051	HEATER	1	1						
18	1	119129-77520	BEND	1	1						

Fig.6. EXHAUST MANIFOLD

(A)=4TNV98-GPGE
 (B)=4TNV98-IGPGE
 (C)=

(D)=
 (E)=
 (F)=

No.	Lev.	Parts No.	Description	Q'ty						I	R
				(A)	(B)	(C)	(D)	(E)	(F)		
1	1	129907-13200	MANIFOLD, EXHAUST	1	1						
2	1	129930-13201	GASKET, SILENCER	1	1						
3	1	129900-13251	GASKET	1	1						
4	1	123900-13610	STUD, M8X80	2	2						
5	1	123900-13630	BOLT, M8X80	6	6						
6	1	119131-18320	STUD, M8X22	4	4						
7	1	26306-080002	NUT, M8	2	2						

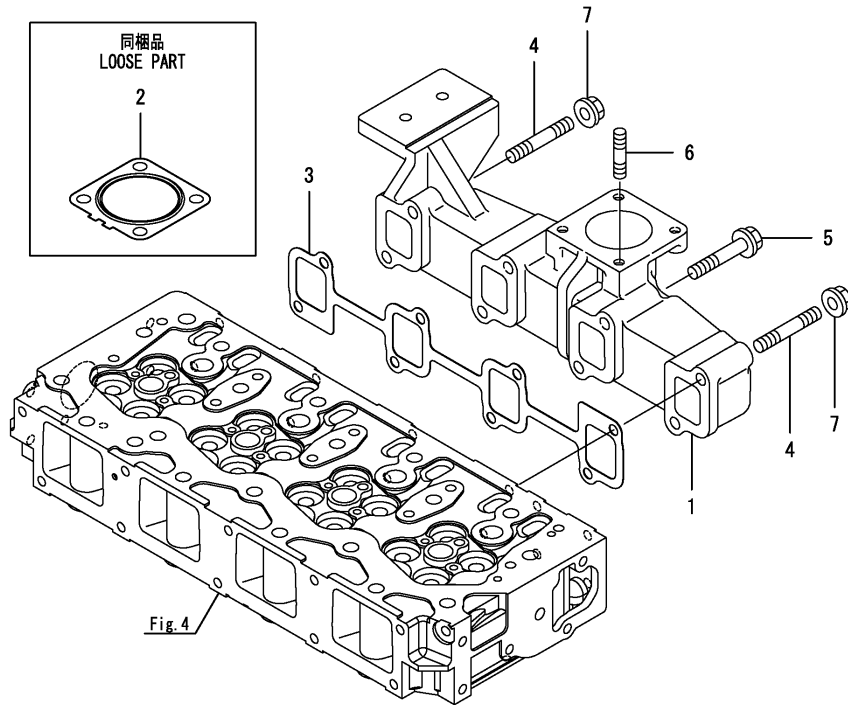
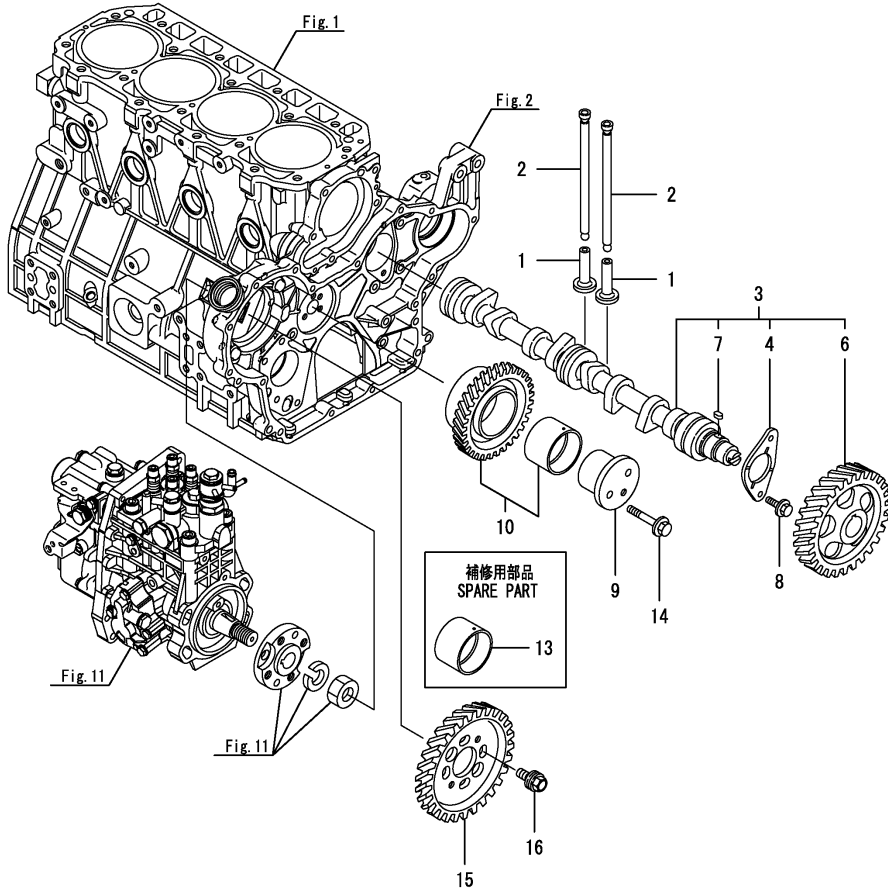


Fig.7. CAMSHAFT & DRIVING GEAR

(A)=4TNV98-GPGE
(B)=4TNV98-IGPGE
(C)=

(D)=
(E)=
(F)=

No.	Lev.	Parts No.	Description	Q'ty						I	R
				(A)	(B)	(C)	(D)	(E)	(F)		
1	1	129150-14200	TAPPET	8	8						
2	1	129907-14400	ROD, PUSH	8	8						
3	1	129907-14581	CAMSHAFT ASSY	1							
3-1	1	129908-14581 (A=EI5239)	CAMSHAFT ASSY	1	1						N
4	2	129150-02450	BEARING, THRUST	1	1						
6	2	129900-14100	GEAR, CAMSHAFT	1	1						
7	2	22512-070140	KEY, 7X 14	1	1						
8	1	26106-080162	BOLT, M8X 16 PLATED	2	2						
9	1	123900-25060	SHAFT, IDLE GEAR	1	1						
10	1	129900-25100	GEAR ASSY, IDLE	1	1						
13	1	129150-25920	BUSH, IDLE GEAR	1	1						1
14	1	26106-080552	BOLT, M8X 55 PLATED	3	3						
15	1	129907-25900	GEAR, PUMP	1	1						
16	1	129953-25300	BOLT	4	4						

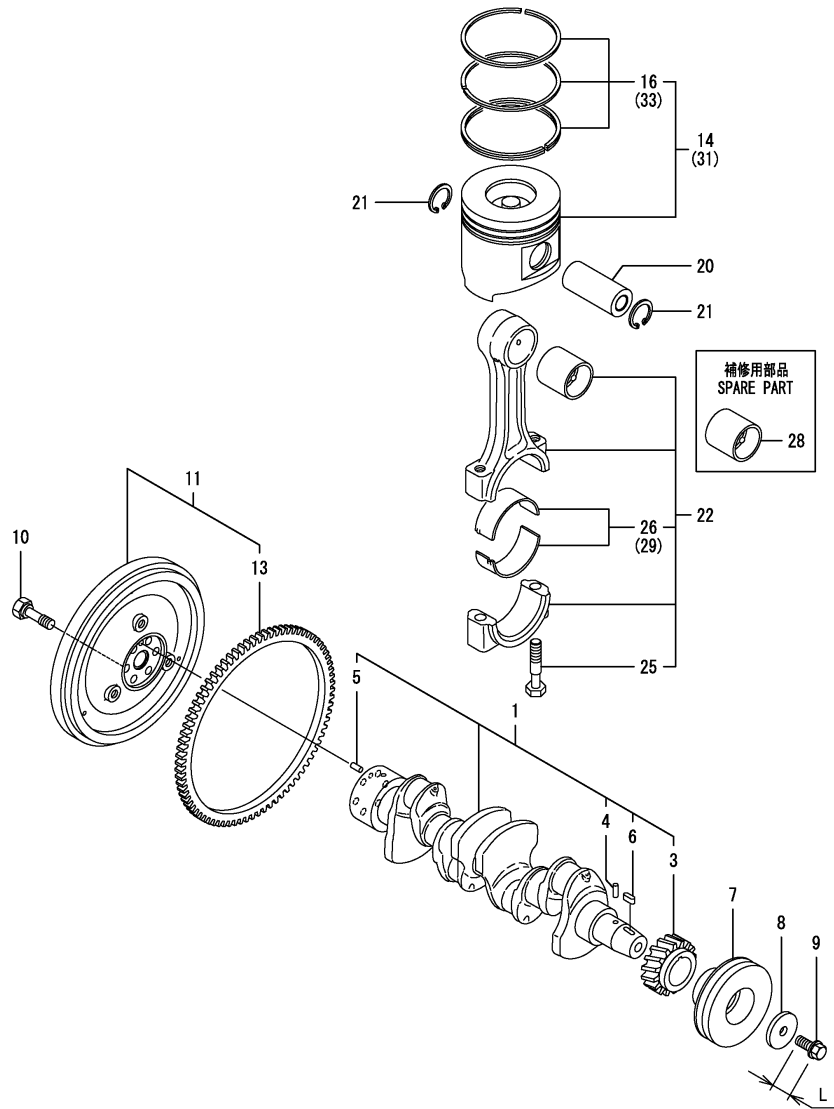


Remarks
(1) Spare part.

Fig.8. CRANKSHAFT & PISTON

(A)=4TNV98-GPGE
 (B)=4TNV98-IGPGE
 (C)=

(D)=
 (E)=
 (F)=



No.	Lev.	Parts No.	Description	Q'ty						I	R
				(A)	(B)	(C)	(D)	(E)	(F)		
1	1	129902-21000	CRANKSHAFT ASSY	1	1						
3	2	129900-21200	GEAR, CRANKSHAFT	1	1						
4	2	121850-21290	PIN	1	1						
5	2	121850-21920	PIN, M10X22	1	1						
6	2	22512-070140	KEY, 7X 14	1	1						
7	1	129907-21660	V-PULLEY, 130	1	1						
8	1	129900-21640	WASHER	1	1						
9	1	121850-21680	BOLT	1							
9-1	1	129916-21610	BOLT	1	1						S 4
(A=EA5356)											
10	1	121850-21130	BOLT, FLYWHEEL	6	6						
11	1	129920-21580	FLYWHEEL	1	1						
13	2	127410-21480	GEAR, RING Z=129	1	1						
14	1	129907-22090	PISTON ASSY, 18.5	4	4						
16	2	129907-22050	RING SET, PISTON	4							
16-1	2	129907-22051	RING SET, PISTON	4	4						R
(A=EXXXXX)											
20	1	120130-22301	PIN, PISTON	4	4						
21	1	22252-000300	RING, 30	8	8						
22	1	129900-23001	ROD ASSY, CONNECTING	4	4						
25	2	129900-23200	BOLT, CONNECTING ROD	8	8						
26	2	129900-23601	BEARING, CRANK PIN	4	4						
28	1	129900-23911	BEARING, PISTON PIN	4	4						1
29	1	129900-23611	BEARING, 0.25 US	4	4						2
31	1	729907-22910	PISTON ASSY, 0.25 OS	4	4						3
33	2	729907-22950	RING SET, 0.25 OS	4	4						3

Remarks

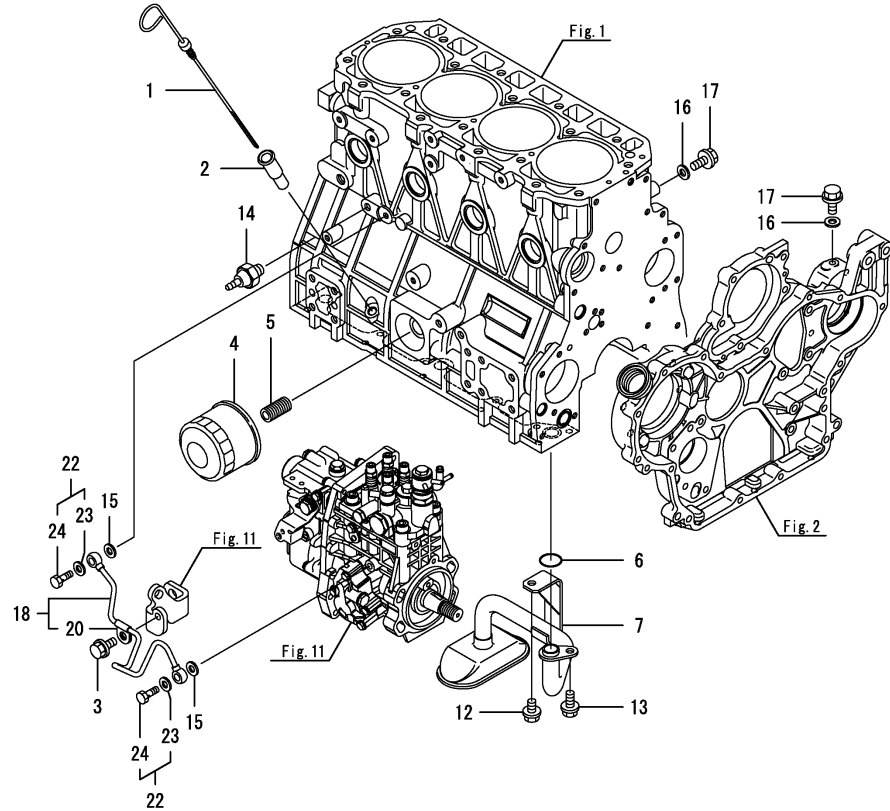
- (1) Spare part.
- (2) Under-sized (U.S.=0.25) part.
- (3) Over-sized (O.S.=0.25) part.
- (4) L=Ref.No.9 30M/M, 9-1 35M/M.

Fig.9. LUB. OIL SYSTEM

(A)=4TNV98-GPGE
 (B)=4TNV98-IGPGE
 (C)=

(D)=
 (E)=
 (F)=

No.	Lev.	Parts No.	Description	Q'ty						I	R
				(A)	(B)	(C)	(D)	(E)	(F)		
1	1	129953-34830	DIPSTICK, OIL	1	1						
2	1	121520-34810	GUIDE, DIPSTICK	1	1						
3	1	26106-080122	BOLT, M8X 12 PLATED	1	1						
4	1	129150-35153	FILTER 80X80L	1							1
4-1	1	119005-35151	FILTER, D80X100L	1	1						N 1
(A=ED7373)											
5	1	119000-35140	BOLT, FILTER	1	1						
6	1	129900-32030	O-RING, P20	1	1						
7	1	129953-35000	PIPE ASSY, OIL INLET	1	1						
12	1	26106-080122	BOLT, M8X 12 PLATED	1	1						
13	1	26106-080162	BOLT, M8X 16 PLATED	1	1						
14	1	114250-39450	SWITCH, 0.5KG	1	1						
15	1	22190-080002	WASHER, SEAL 6	2	2						
16	1	22190-080002	WASHER, SEAL 6	2	2						
17	1	26106-080122	BOLT, M8X 12 PLATED	2	2						
18	1	129907-39061	PIPE ASSY, OIL	1	1						
20	2	123907-39500	RETAINER	1	1						
22	1	129005-59830	BOLT ASSY, JOINT M8	2	2						
23	2	22190-080002	WASHER, SEAL 6	2	2						
24	2	23857-030000	BOLT, JOINT 3	2	2						

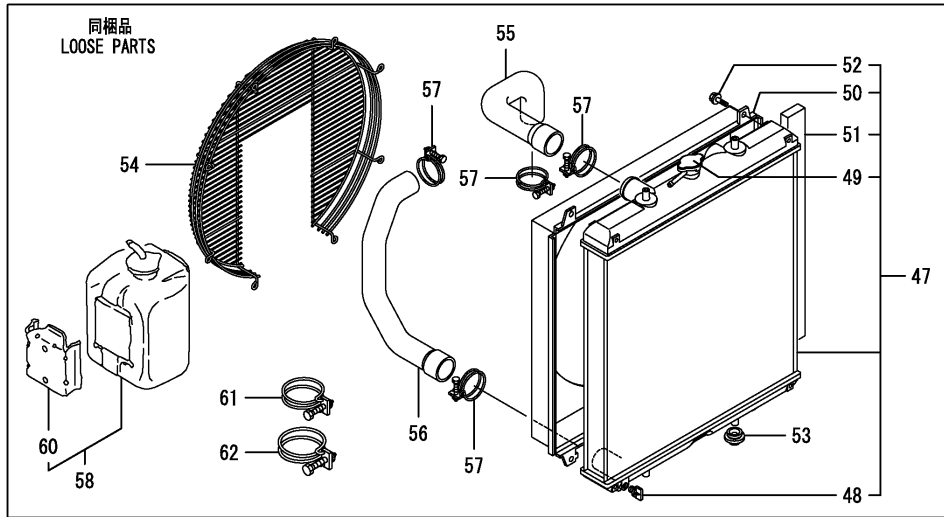
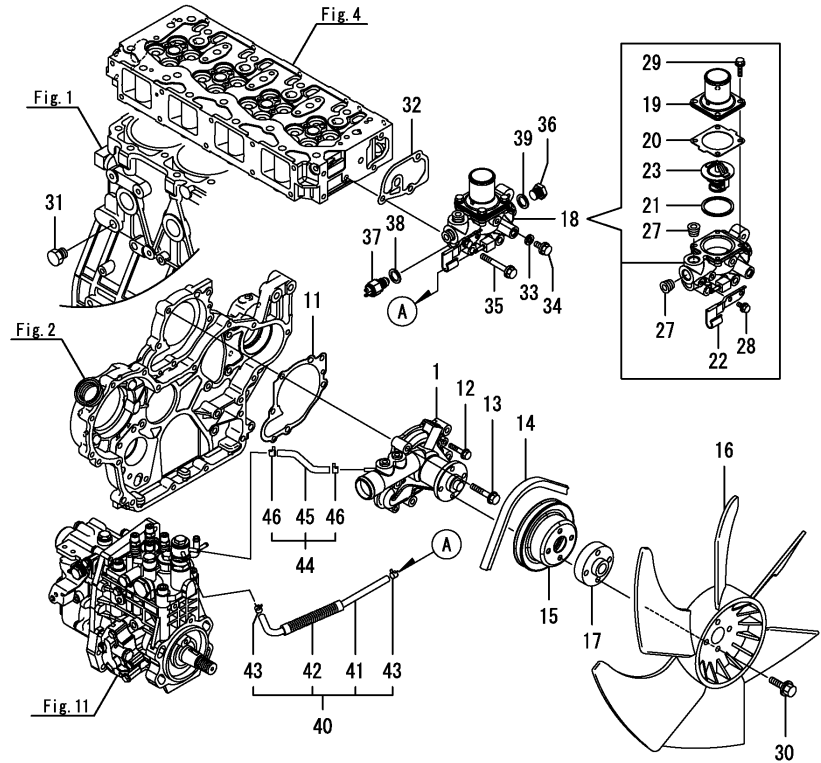


Remarks
 (1) Spare part.

Fig.10. COOLING WATER SYSTEM

(A)=4TNV98-GPGE
(B)=4TNV98-IGPGE
(C)=

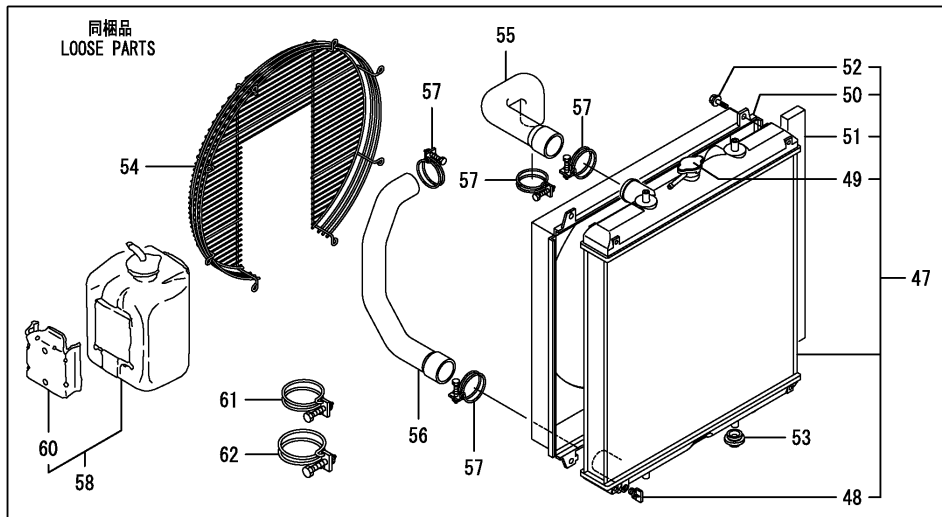
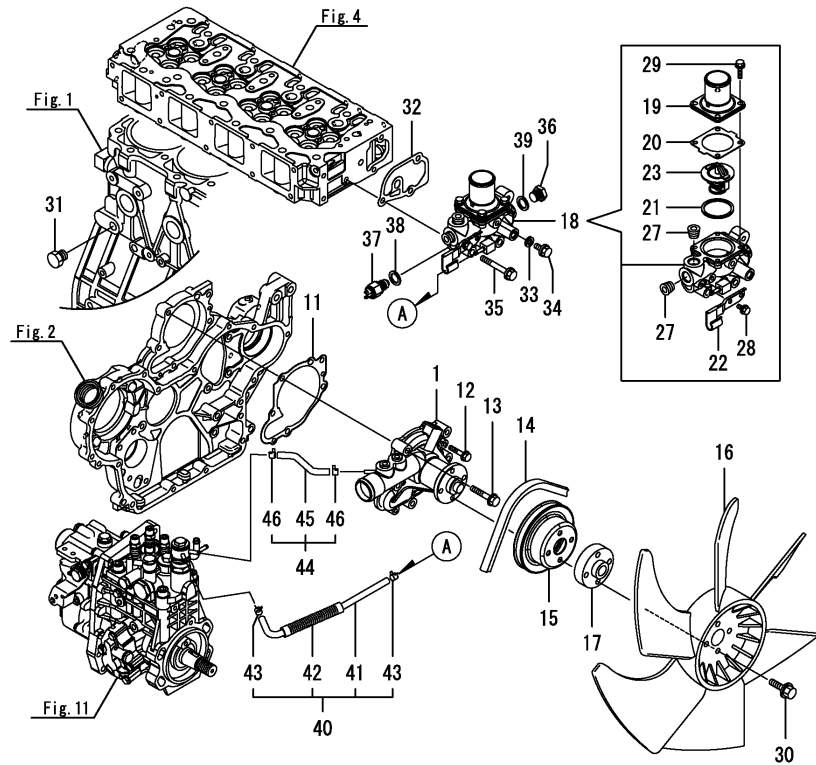
(D)=
(E)=
(F)=



No.	Lev.	Parts No.	Description	(A)	(B)	Q'ty						I	R
				(C)	(D)	(E)	(F)	(G)	(H)	(I)	(J)	(K)	(L)
1	1	129907-42000	PUMP ASSY, WATER	1									
1-1	1	129907-42001	PUMP ASSY, WATER	1	1								N
(A=EXXXXX)													
11	1	129900-42020	GASKET, WATER PUMP	1	1								
12	1	26106-060302	BOLT, M6X 30 PLATED	2	2								
13	1	26106-080552	BOLT, M8X 55 PLATED	5	5								
14	1	129940-42320	V-BELT, A41	1	1								
15	1	129900-42461	V-PULLEY	1									
15-1	1	129900-42462	V-PULLEY, CW PUMP	1	1								R
(A=EJ8099)													
16	1	129916-44740	FAN, COOLING D=430	1	1								
17	1	119130-44760	SPACER, FAN	1	1								
18	1	129907-49800	CASE ASSY, THERMOSTAT	1	1								
19	2	129916-49530	COVER, THERMOSTAT	1	1								
20	2	121850-49540	GASKET, THERMOSTAT	1	1								
21	2	121850-49550	GASKET, THERMOSTAT	1	1								
22	2	129907-49730	RETAINER, PIPE	1	1								
23	2	121850-49810	THERMOSTAT, 71	1									
23-1	2	121850-49811	THERMOSTAT	1	1								N
(A=EE3905)													
27	2	23875-030000	PLUG, R03	2	2								
28	2	26106-060122	BOLT, M6X 12 PLATED	1	1								
29	2	26106-060202	BOLT, M6X 20 PLATED	4	4								
30	1	26106-080302	BOLT, M8X 30 PLATED	4	4								
31	1	171056-49120	PLUG, DRAIN	1	1								
32	1	129900-49870	GASKET	1	1								
33	1	23414-080000	GASKET, 8X1.0	1	1								
34	1	26106-080122	BOLT, M8X 12 PLATED	1	1								
35	1	26106-080602	BOLT, M8X 60 PLATED	3	3								
36	1	121450-42450	PLUG, M16	1	1								
37	1	121250-44901	SWITCH, 110	1	1								
38	1	124465-44950	GASKET, 16	1	1								
39	1	124465-44950	GASKET, 16	1	1								
40	1	129907-49610	HOSE ASSY, WATER	1	1								
41	2	129907-49710	PIPE ASSY, WATER	1	1								
42	2	129907-49750	TUBE, CORRUGATED	1	1								
43	2	124722-59050	CLIP, HOSE 9	2	2								
44	1	129907-49620	HOSE ASSY, WATER	1	1								
45	2	129907-49720	PIPE ASSY, WATER	1	1								
46	2	124722-59050	CLIP, HOSE 9	2	2								
47	1	129940-44500	RADIATOR ASSY	1	1								
48	2	129508-44550	COCK ASSY	1	1								
49	2	129107-44590	CAP, RADIATOR	1	1								
50	2	129907-44600	SHROUD	1	1								
51	2	129907-44610	GASKET	2	2								
52	2	26014-060122	BOLT, M6X 12	4	4								
53	1	119255-44660	ABSORBER	4	4								
54	1	129907-44560	GUARD	1	1								
55	1	129981-49050	PIPE, WATER	1	1								
56	1	129981-49062	PIPE, WATER	1	1								
57	1	23000-060000	CLAMP, 60	4	4								

N:Old $\xrightarrow{\text{Yes}}$ New, Q:Old $\xrightarrow{\text{No}}$ New, R:Old $\xrightarrow{\text{Yes}}$ New, S:Old $\xrightarrow{\text{No}}$ New, W:Add, Z:Discontinued, F:Interchangeable by set, K:Q'ty Change
 ++ CONTINUE ++
 Copyright (C) YANMAR CO., LTD. All Rights Reserved.

Fig.10. COOLING WATER SYSTEM



(A)=4TNV98-GPGE
(B)=4TNV98-IGPGE
(C)=

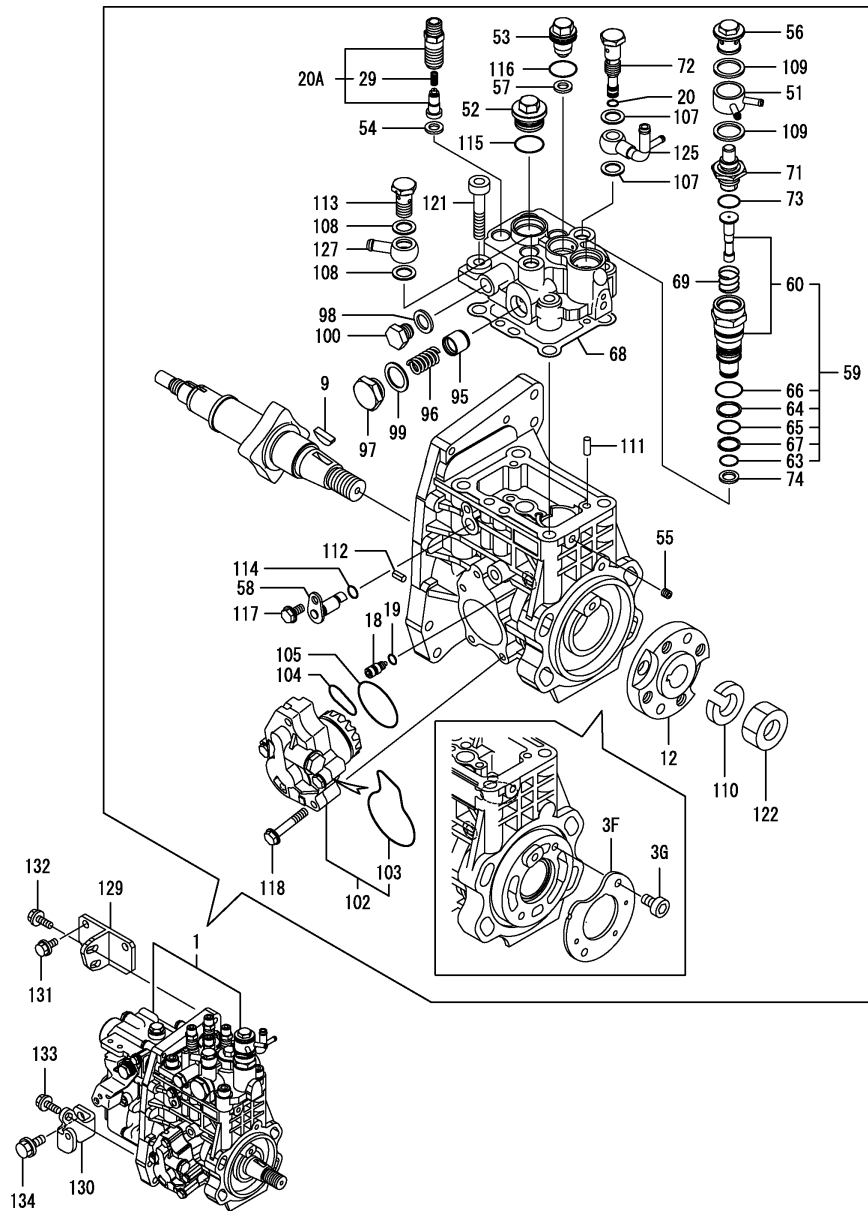
(D)=
(E)=
(F)=

No.	Lev.	Parts No.	Description	Q'ty						I	R
				(A)	(B)	(C)	(D)	(E)	(F)		
58	1	720445-44200	TANK ASSY, SUB	1	1						
60	2	120445-44540	SUPPORT	1	1						
61	1	23000-080000	CLAMP, 80	1	1						
62	1	23000-090000	CLAMP, 90	1							
62-1	1	23000-102000	CLAMP, 102	1	1						N
(A=EXXXXX)											

Fig.11. FUEL INJECTION PUMP

(A)=4TNV98-GPGE
(B)=4TNV98-IGPGE
(C)=

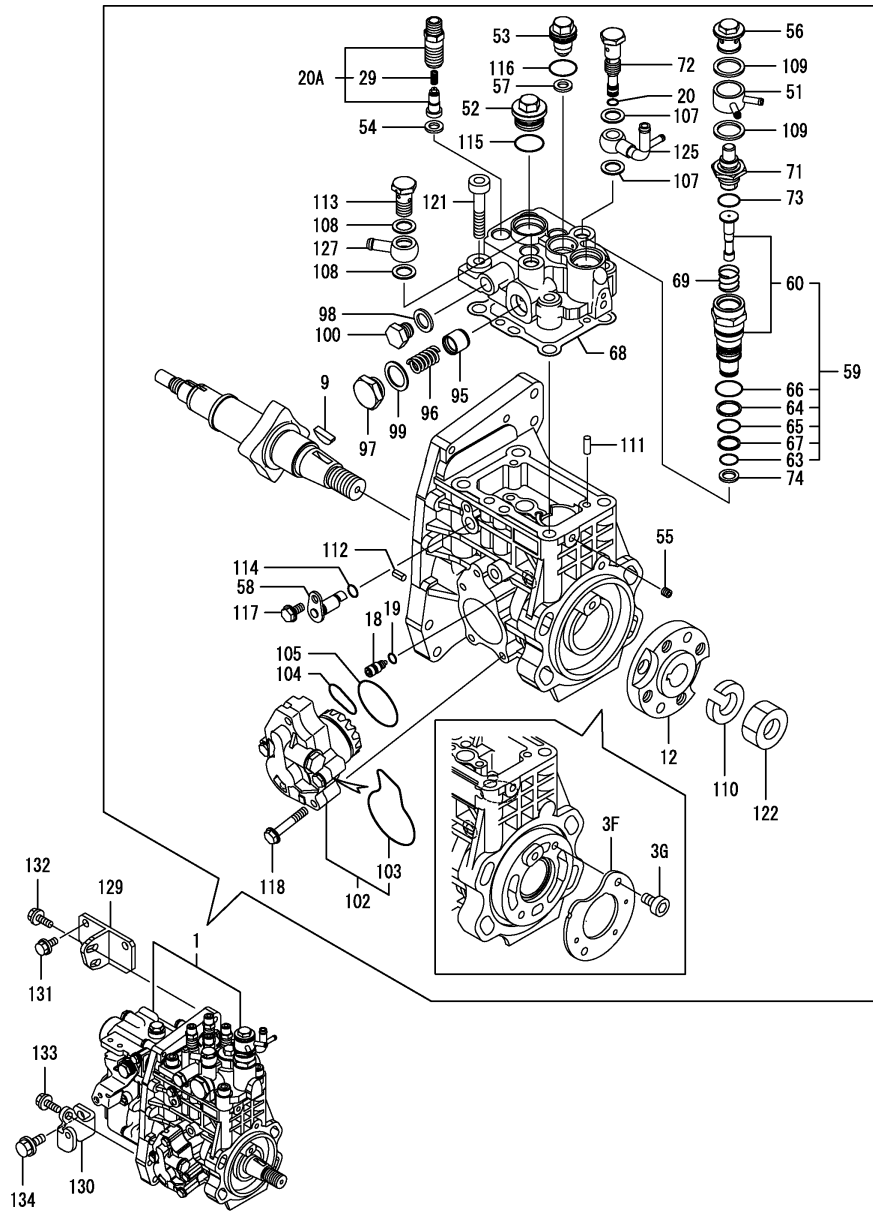
(D)=
(E)=
(F)=



No.	Lev.	Parts No.	Description	Q'ty						I	R
				(A)	(B)	(C)	(D)	(E)	(F)		
1	1	729946-51390	PUMP ASSY, INJECTION	1							1
3F	2	129928-51900	COVER	1							W
(A=EB2432)											
3G	2	129008-51920	BOLT, M6X10	2							W
(A=EB2432)											
9	2	144626-51090	KEY, 5X19	1							
12	2	158563-51150	FLANGE	1							
18	2	158600-51270	STOPPER, TAPPET	1							
19	2	158563-51281	O-RING, 4D S6	1							
20	2	158563-51281	O-RING, 4D S6	1							
20A	2	129509-51390	VALVE ASSY, DELIVERY	4							
29	3	158563-51330	SPRING, DELIVERY	4							
51	2	158553-51551	JOINT	1							
52	2	158601-51550	PLUG	1							
53	2	129907-51560	PLUG, BARREL	1							
54	2	158552-51570	GASKET	4							
54-1	2	158552-51571	GASKET	4							R
(A=E78084)											
55	2	158557-51570	PLUG	1							
56	2	158601-51570	PLUG	1							
57	2	129906-51580	GASKET	1							
58	2	158552-51580	LIFTER	1							
59	2	119802-51590	TIMER SET	1							
60	3	119802-51600	TIMER ASSY	1							
63	3	158553-51670	O-RING, 1011	1							
64	3	119802-51680	RING, BACK UP	1							
65	3	119802-51690	O-RING	1							
66	3	24356-010200	O-RING, 4D1020	1							
66-1	3	24356-190200	O-RING, 4D19020	1							R
(A=EXXXXX)											
67	3	24372-000150	RING, BACK UP T2P15	1							
68	2	158560-51600	GASKET	1							
69	2	158553-51630	SPRING, TIMER	1							
71	2	158553-51640	ELEMENT	1							
72	2	158601-51650	JOINT, OVER FLOW	1							
73	2	158553-51660	O-RING, P14	1							
74	2	158553-51680	GASKET	1							
95	2	158601-51770	PISTON	1							
96	2	158552-51781	SPRING	1							
97	2	158601-51790	PLUG	1							
98	2	22190-120002	WASHER, SEAL 12	1							
99	2	22190-180002	WASHER, SEAL 18	1							
100	2	23887-120002	PLUG, 12	1							
100-1	2	158553-51930	PLUG, M12	1							R
(A=E98475)											
102	2	158552-52100	PUMP ASSY, FUEL FEED	1							
103	3	158552-52500	O-RING	1							
104	2	158552-52310	O-RING	1							
104-1	2	158552-52311	O-RING	1							R
(A=EB2432)											
105	2	158552-52400	O-RING, 4E S42	1							

Remarks
(1)Governor(Fig.12)is incorporated in this Fuel Injection Pump (Ref.1).

Fig.11. FUEL INJECTION PUMP



(A)=4TNV98-GPGE
(B)=4TNV98-IGPGE
(C)=

(D)=
(E)=
(F)=

No.	Lev.	Parts No.	Description	Q'ty						I	R
				(A)	(B)	(C)	(D)	(E)	(F)		
107	2	22190-120002	WASHER, SEAL 12	2							
108	2	22190-120002	WASHER, SEAL 12	2							
109	2	22190-180002	WASHER, SEAL 18	2							
110	2	22217-180000	WASHER, SPRING 18	1							
111	2	22312-050140	PIN, PARALLEL M5X14	2							
112	2	22351-050010	PIN, SPRING 5.0X10	2							
113	2	23857-060000	BOLT, JOINT 6	1							
114	2	24311-000070	O-RING, 1AP7.0	1							
115	2	24356-010200	O-RING, 4D1020	1							
115-1	2	24356-190200	O-RING, 4D19020	1							R
		(A=EXXXXX)									
116	2	24356-020210	O-RING, 4D2021	1							
116-1	2	24356-240210	O-RING, 4D24021	1							R
		(A=EXXXXX)									
117	2	26106-060102	BOLT, M6X 10 PLATED	1							
118	2	26106-060352	BOLT, M6X 35 PLATED	4							
121	2	26450-100452	BOLT, M10X 45	4							
122	2	26776-180002	NUT, LOCK M18	1							
125	2	158552-51670	JOINT, OVER FLOW	1							
127	2	129916-59020	JOINT, PIPE 12	1							
129	1	129907-01950	RETAINER	1							
130	1	129907-01960	RETAINER	1							
131	1	26106-080162	BOLT, M8X 16 PLATED	2							
132	1	26106-080222	BOLT, M8X 22 PLATED	2							
133	1	26106-080222	BOLT, M8X 22 PLATED	1							
134	1	26106-100202	BOLT, M10X 20 PLATED	1							

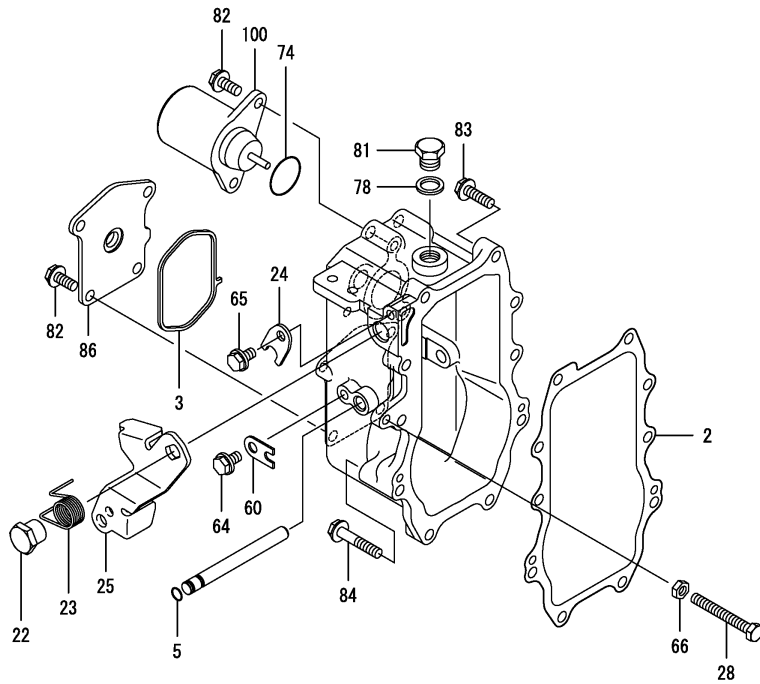
Remarks

(1)Governor(Fig.12)is incorporated in this Fuel Injection Pump (Ref.1).

Fig.12. GOVERNOR

(A)=4TNV98-GPGE
 (B)=4TNV98-IGPGE
 (C)=

(D)=
 (E)=
 (F)=



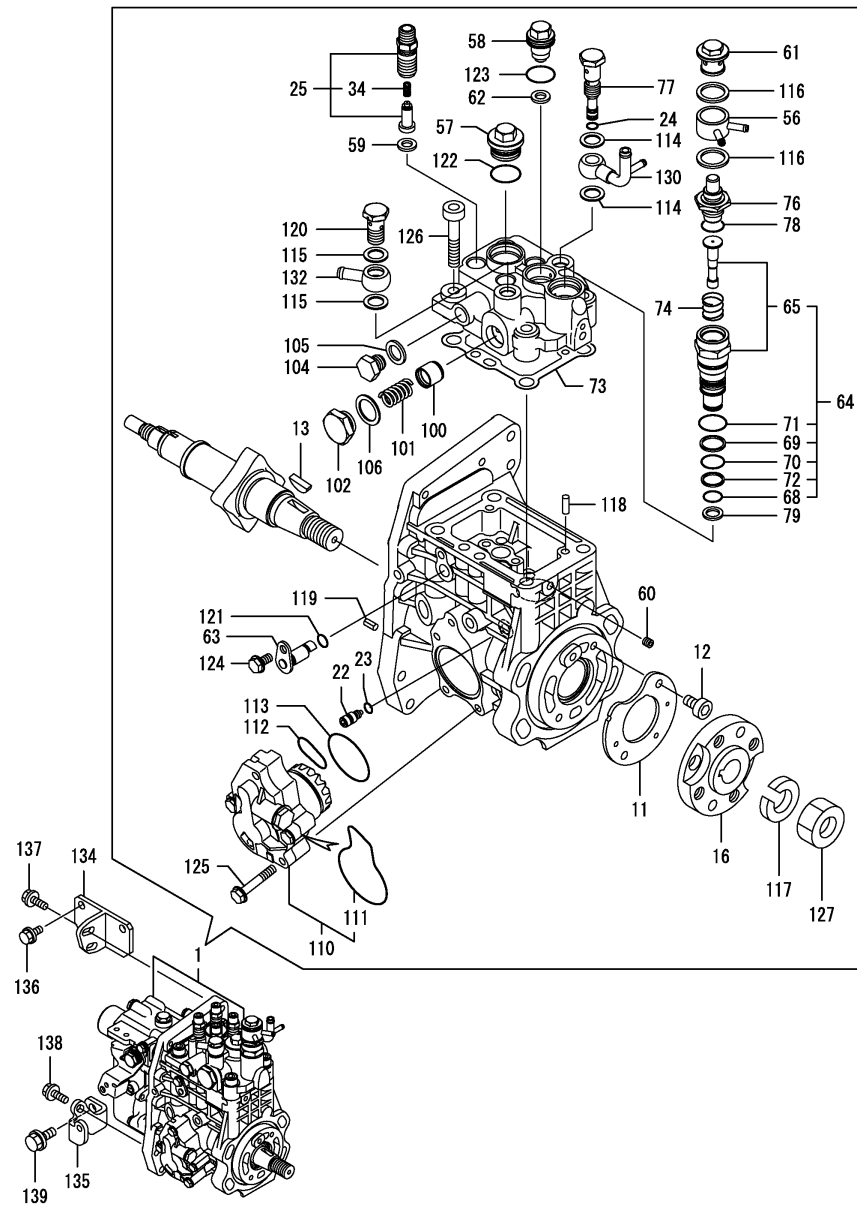
No.	Lev.	Parts No.	Description	Q'ty						I	R
				(A)	(B)	(C)	(D)	(E)	(F)		
2	2	158560-61050	GASKET	1							
3	2	158560-61071	GASKET	1							
5	2	129155-51280	O-RING, S6	1							
22	2	129255-61410	NUT, LOCK	1							
23	2	119807-61420	SPRING, RETURN	1							
24	2	158560-61430	RETAINER, SHAFT	1							
25	2	129937-61440	LEVER, REGULATOR	1							
28	2	129155-61460	BOLT, IDLE	1							
60	2	119660-61901	RETAINER, SHAFT	1							
64	2	26106-060102	BOLT, M6X 10 PLATED	1							
65	2	26106-060102	BOLT, M6X 10 PLATED	1							
66	2	26756-060002	NUT, LOCK M6	1							
74	2	158552-61900	O-RING	1							
78	2	22190-160002	WASHER, SEAL 16	1							
81	2	23887-160002	PLUG, 16	1							
82	2	26106-060142	BOLT, M6X 14 PLATED	6							
83	2	26106-060252	BOLT, M6X 25 PLATED	8							
84	2	26106-060402	BOLT, M6X 40 PLATED	2							
86	2	129946-61061	COVER, GOVERNOR CASE	1							
100	2	119653-77950	SOLENOID, STOP	1							

Remarks
 *This figure(Governor)is incorporated
 in the Fuel Injection Pump (Fig.11).

Fig.13. FUEL INJECTION PUMP

(A)=4TNV98-GPGE
(B)=4TNV98-IGPGE
(C)=

(D)=
(E)=
(F)=



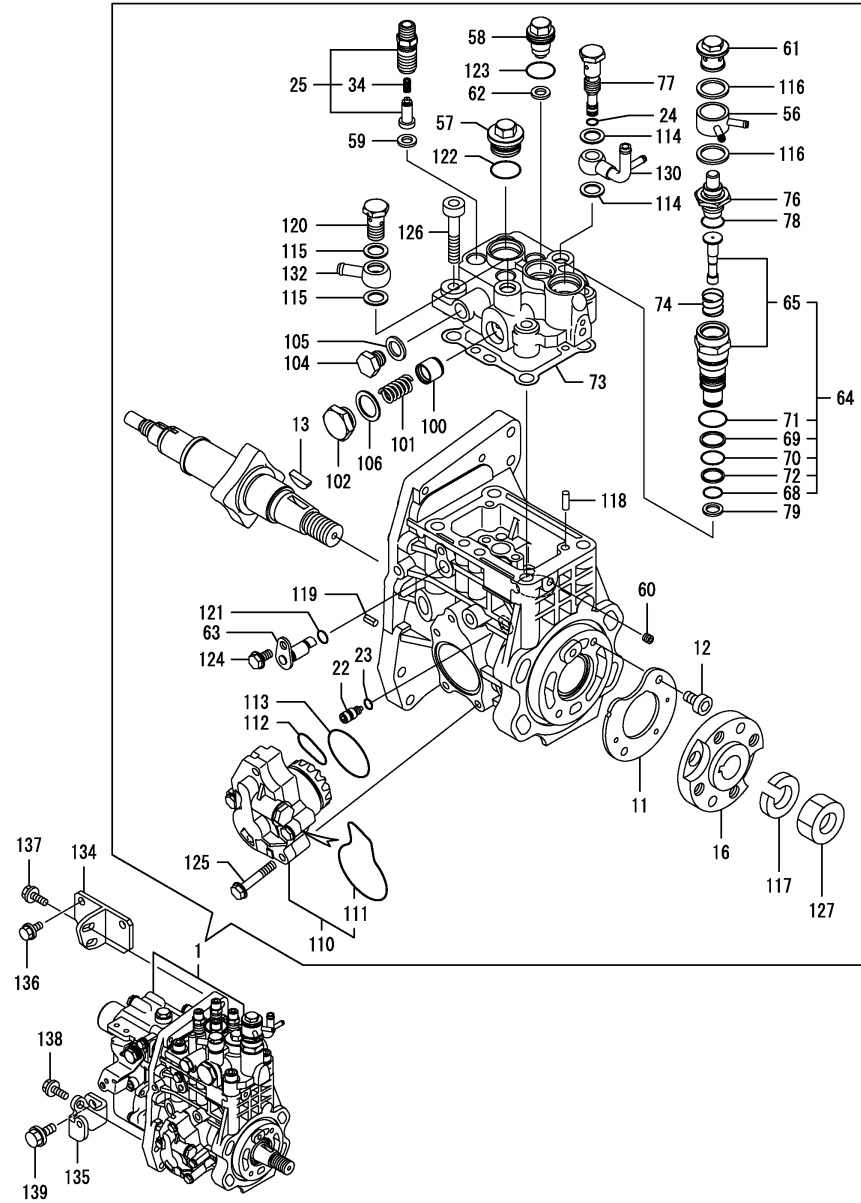
No.	Lev.	Parts No.	Description	Qty						I	R
				(A)	(B)	(C)	(D)	(E)	(F)		
1	1	729946-51320	PUMP ASSY, INJECTION	1							1
11	2	129928-51900	COVER	1							
12	2	129008-51920	BOLT, M6X10	2							
13	2	144626-51090	KEY, 5X19	1							
16	2	158563-51150	FLANGE	1							
22	2	158600-51270	STOPPER, TAPPET	1							
23	2	158563-51281	O-RING, 4D S6	1							
24	2	158563-51281	O-RING, 4D S6	1							
25	2	129509-51390	VALVE ASSY, DELIVERY	4							
34	3	158563-51330	SPRING, DELIVERY	4							
56	2	158553-51551	JOINT	1							
57	2	158601-51550	PLUG	1							
58	2	129907-51560	PLUG, BARREL	1							
59	2	158552-51571	GASKET	4							
60	2	158557-51570	PLUG	1							
61	2	158601-51570	PLUG	1							
62	2	129906-51580	GASKET	1							
63	2	158552-51580	LIFTER	1							
64	2	119802-51590	TIMER SET	1							
65	3	119802-51600	TIMER ASSY	1							
68	3	158553-51670	O-RING, 1011	1							
69	3	119802-51680	RING, BACK UP	1							
70	3	119802-51690	O-RING	1							
71	3	24356-190200	O-RING, 4D19020	1							
72	3	24372-000150	RING, BACK UP T2P15	1							
73	2	158560-51600	GASKET	1							
74	2	158553-51630	SPRING, TIMER	1							
76	2	158553-51640	ELEMENT	1							
77	2	158601-51650	JOINT, OVER FLOW	1							
78	2	158553-51660	O-RING, P14	1							
79	2	158553-51680	GASKET	1							
100	2	158601-51770	PISTON	1							
101	2	158552-51781	SPRING	1							
102	2	158601-51790	PLUG	1							
104	2	158553-51930	PLUG, M12	1							
105	2	22190-120002	WASHER, SEAL 12	1							
106	2	22190-180002	WASHER, SEAL 18	1							
110	2	158552-52100	PUMP ASSY, FUEL FEED	1							
111	3	158552-52500	O-RING	1							
112	2	158552-52311	O-RING	1							
113	2	158552-52400	O-RING, 4E S42	1							
114	2	22190-120002	WASHER, SEAL 12	2							
115	2	22190-120002	WASHER, SEAL 12	2							
116	2	22190-180002	WASHER, SEAL 18	2							
117	2	22217-180000	WASHER, SPRING 18	1							
118	2	22312-050140	PIN, PARALLEL M5X14	2							
119	2	22351-050010	PIN, SPRING 5.0X10	2							
120	2	23857-060000	BOLT, JOINT 6	1							
121	2	24311-000070	O-RING, 1AP7.0	1							
122	2	24356-190200	O-RING, 4D19020	1							
123	2	24356-240210	O-RING, 4D24021	1							

Remarks
(1)Governor(Fig.14)is incorporated in this Fuel Injection Pump (Ref.1).

Fig.13. FUEL INJECTION PUMP

(A)=4TNV98-GPGE
 (B)=4TNV98-IGPGE
 (C)=

(D)=
 (E)=
 (F)=



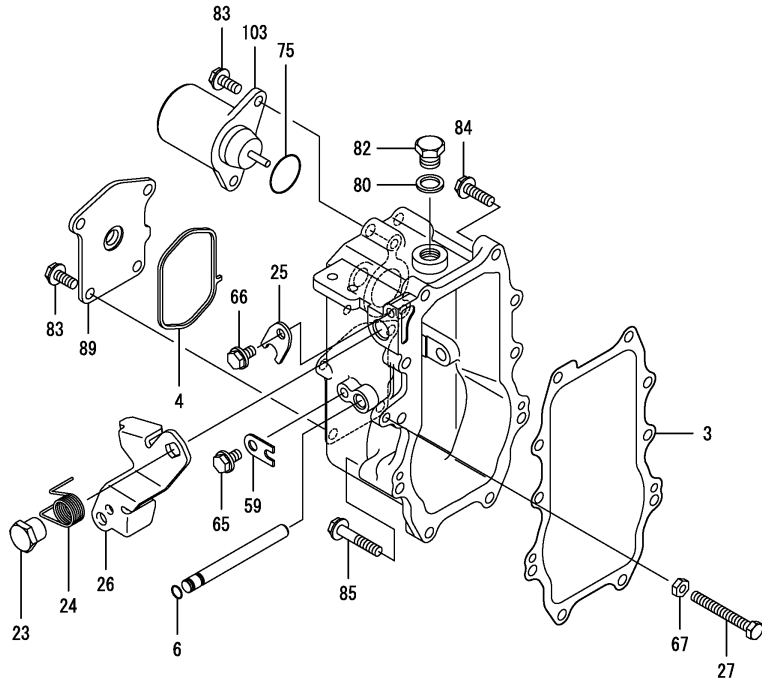
No.	Lev.	Parts No.	Description	Q'ty						I	R
				(A)	(B)	(C)	(D)	(E)	(F)		
124	2	26106-060102	BOLT, M6X 10 PLATED		1						
125	2	26106-060352	BOLT, M6X 35 PLATED		4						
126	2	26450-100452	BOLT, M10X 45		4						
127	2	26776-180002	NUT, LOCK M18		1						
130	2	158552-51670	JOINT, OVER FLOW		1						
132	2	129916-59020	JOINT, PIPE 12		1						
134	1	129907-01950	RETAINER		1						
135	1	129907-01960	RETAINER		1						
136	1	26106-080162	BOLT, M8X 16 PLATED		2						
137	1	26106-080222	BOLT, M8X 22 PLATED		2						
138	1	26106-080222	BOLT, M8X 22 PLATED		1						
139	1	26106-100202	BOLT, M10X 20 PLATED		1						

Remarks
 (1)Governor(Fig.14)is incorporated in this Fuel Injection Pump (Ref.1).

Fig.14. GOVERNOR

(A)=4TNV98-GPGE
(B)=4TNV98-IGPGE
(C)=

(D)=
(E)=
(F)=



No.	Lev.	Parts No.	Description	Q'ty						I	R
				(A)	(B)	(C)	(D)	(E)	(F)		
3	2	158560-61050	GASKET		1						
4	2	158560-61071	GASKET		1						
6	2	129155-51280	O-RING, S6		1						
23	2	129255-61410	NUT, LOCK		1						
24	2	119807-61420	SPRING, RETURN		1						
25	2	158560-61430	RETAINER, SHAFT		1						
26	2	129937-61440	LEVER, REGULATOR		1						
27	2	129155-61460	BOLT, IDLE		1						
59	2	119660-61901	RETAINER, SHAFT		1						
65	2	26106-060102	BOLT, M6X 10 PLATED		1						
66	2	26106-060102	BOLT, M6X 10 PLATED		1						
67	2	26756-060002	NUT, LOCK M6		1						
75	2	158552-61900	O-RING		1						
80	2	22190-160002	WASHER, SEAL 16		1						
82	2	23887-160002	PLUG, 16		1						
83	2	26106-060142	BOLT, M6X 14 PLATED		6						
84	2	26106-060252	BOLT, M6X 25 PLATED		8						
85	2	26106-060402	BOLT, M6X 40 PLATED		2						
89	2	129946-61061	COVER, GOVERNOR CASE		1						
103	2	119653-77950	SOLENOID, STOP		1						

Remarks
*This figure(Governor)is incorporated
in the Fuel Injection Pump (Fig.13).

Fig.15. FUEL INJECTION VALVE

(A)=4TNV98-GPGE
(B)=4TNV98-IGPGE
(C)=

(D)=
(E)=
(F)=

No.	Lev.	Parts No.	Description	Q'ty						I	R
				(A)	(B)	(C)	(D)	(E)	(F)		
1	1	729946-53300	VALVE ASSY,INJECTION	4	4						
2	2	129937-53000	VALVE ASSY,INJECTION	4	4						
5	2	114250-53080	NUT, NOZZLE D16.95	4	4						
9	2	114250-53120	SPRING, NOZZLE	4	4						
10	2	114250-53130	SEAT, SPRING	4	4						
11	2	114250-53140	PLATE	4	4						
12	2	114250-53210	PIN	8	8						
13	2	114250-53400	SHIM SET	4							
13-1	2	119803-53400	SHIM SET	4	4						R
(A=E98288)											
25	1	123907-11601	SEAL	4	4						
26	1	122780-59100	RETAINER	2	2						
27	1	119305-59120	RETAINER, PIPE	1	1						
30	2	129150-59131	BOLT, M4X14	1	1						
31	1	129550-59120	RETAINER, PIPE	1	1						
34	2	129150-59131	BOLT, M4X14	2	2						
35	1	129907-59710	SUPPORT	1	1						
37	1	129907-59810	PIPE ASSY, INJECTION	1	1						
38	1	129907-59820	PIPE ASSY, INJECTION	1	1						
39	1	129907-59830	PIPE ASSY, INJECTION	1	1						
40	1	129907-59840	PIPE ASSY, INJECTION	1	1						
41	1	26106-060162	BOLT, M6X 16 PLATED	2	2						
42	1	26106-080182	BOLT, M8X 18 PLATED	1	1						

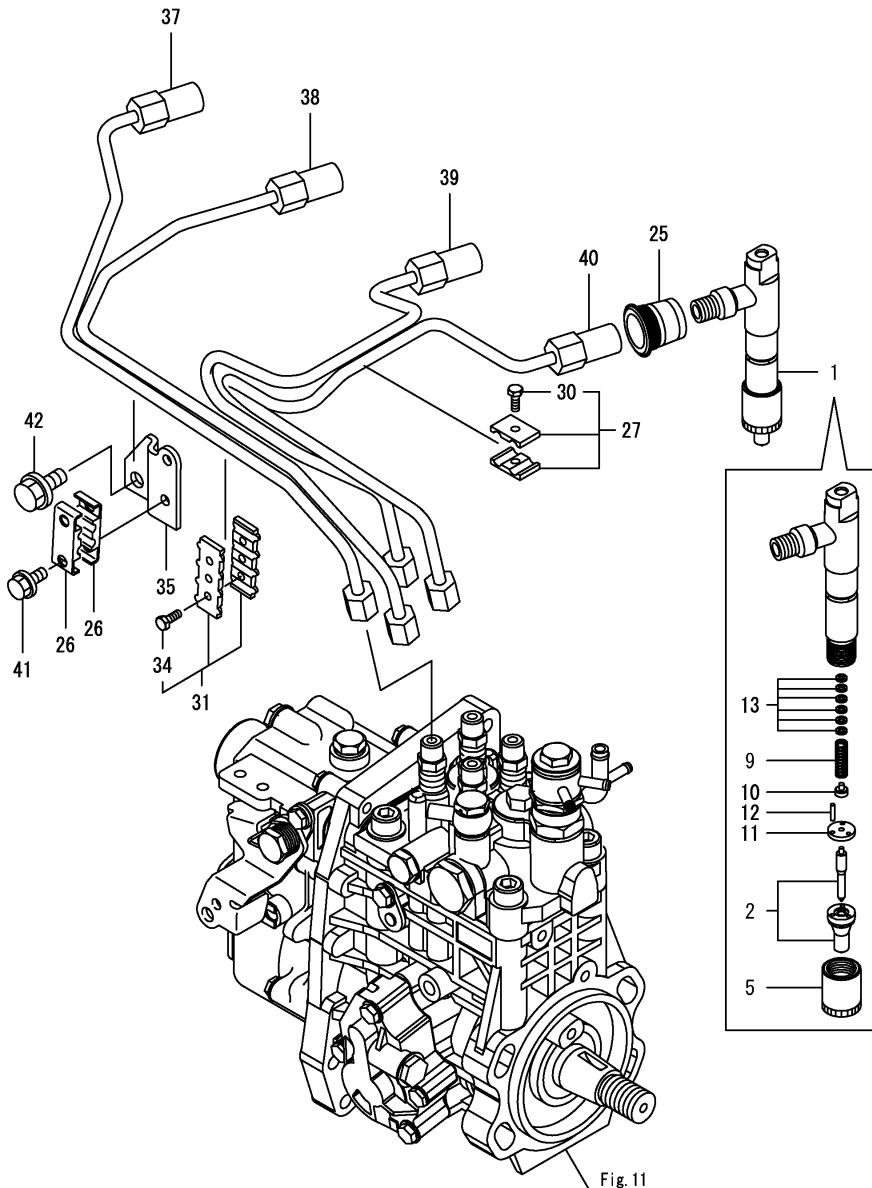
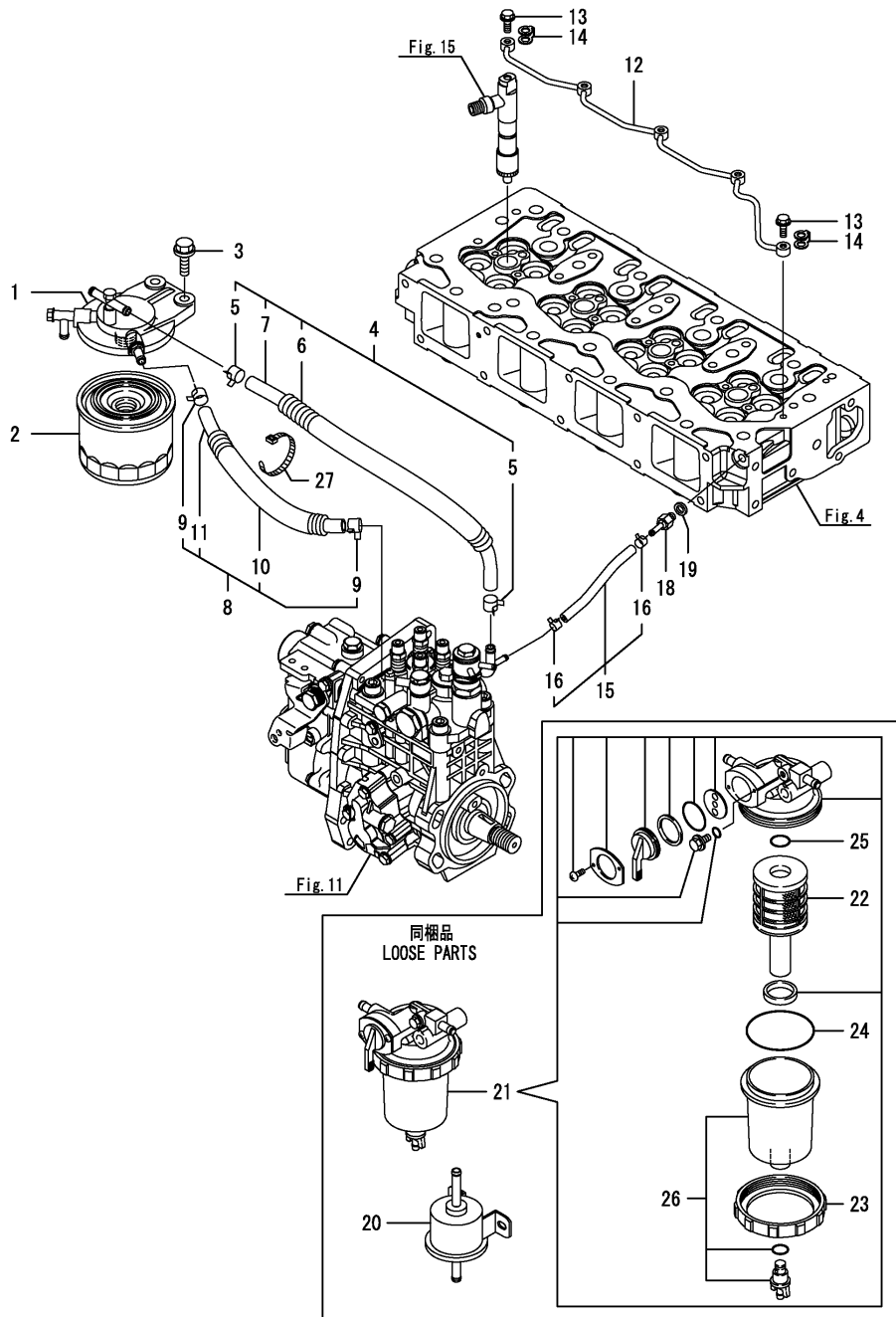


Fig.11

Fig.16. FUEL LINE

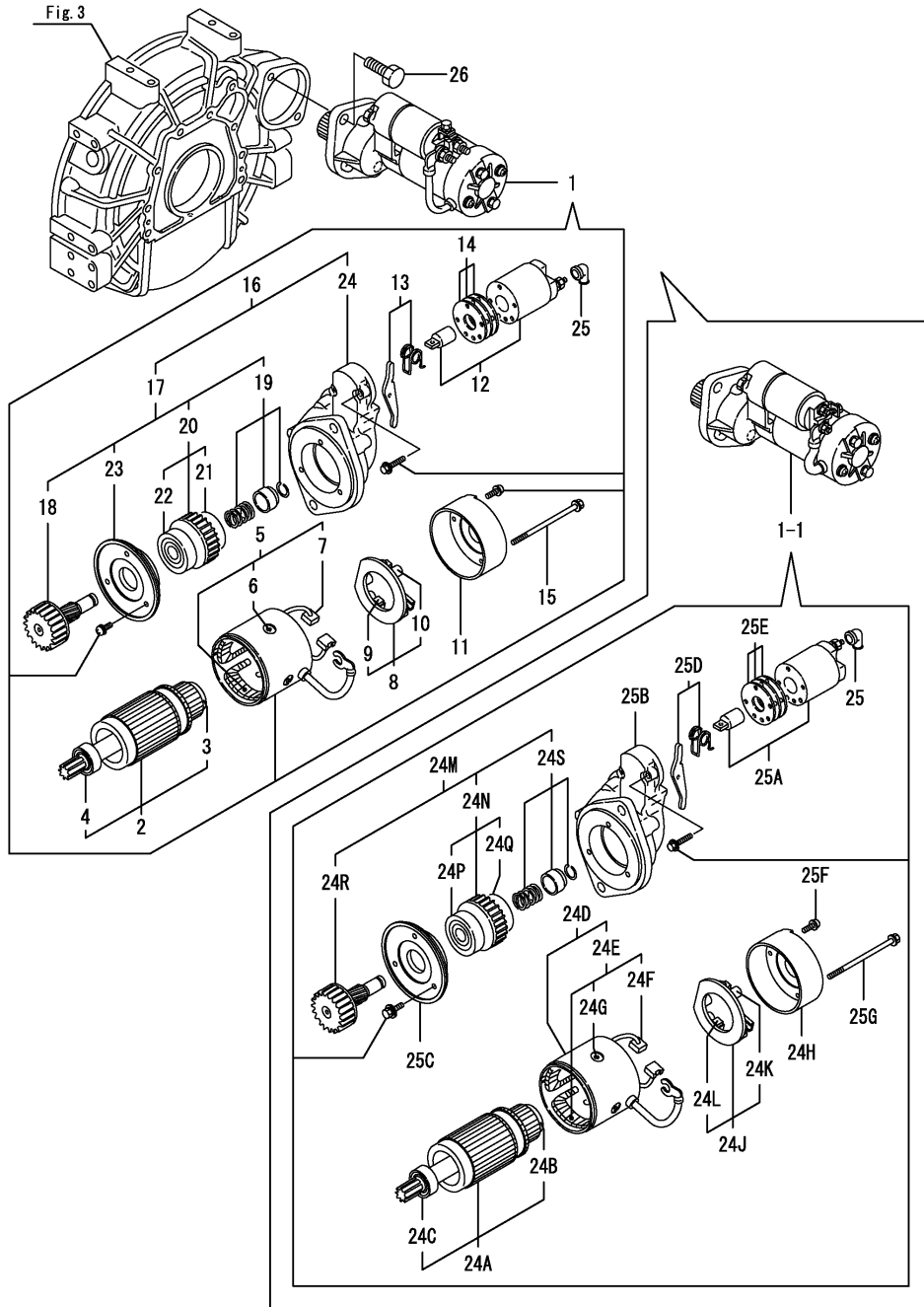


(A)=4TNV98-GPGE
(B)=4TNV98-IGPGE
(C)=

(D)=
(E)=
(F)=

No.	Lev.	Parts No.	Description	Q'ty						I	R
				(A)	(B)	(C)	(D)	(E)	(F)		
1	1	129004-55612	BRACKET, FILTER	1	1						
2	1	119802-55801	FILTER, FUEL	1							
2-1	1	129907-55801	FILTER, FUEL	1	1						N
(A=ED7373)											
3	1	26106-080302	BOLT, M8X 30 PLATED	2	2						
4	1	129457-59010	PIPE ASSY, FUEL	1	1						
5	2	124766-59050	CLIP, HOSE 12	2	2						
6	2	129957-59120	TUBE, CORRUGATED	1	1						
7	2	105025-59750	PIPE, FUEL	1	1						
8	1	129981-59010	PIPE ASSY, FUEL	1	1						
9	2	124766-59050	CLIP, HOSE 12	2	2						
10	2	129950-59221	TUBE, CORRUGATED	1	1						
11	2	129980-59510	PIPE, FUEL	1	1						
12	1	129907-59140	PIPE ASSY, RETURN	1	1						
13	1	123907-59540	BOLT, PIPE JOINT M6	5	5						
14	1	123907-59550	GASKET	5	5						
15	1	129486-59551	PIPE ASSY, RETURN	1	1						
16	2	124722-59050	CLIP, HOSE 9	2	2						
18	1	123907-59560	JOINT	1	1						
19	1	22190-080002	WASHER, SEAL 6	1	1						
20	1	119225-52102	PUMP ASSY, FUEL FEED	1	1						
21	1	119802-55700	SEPARATOR ASSY	1	1						
22	2	119802-55710	ELEMENT	1	1						
23	2	129100-55690	RING, RETAINING	1	1						
24	2	24321-000650	O-RING, 1AG65.0	1	1						
25	2	24311-000160	O-RING, 1AP16.0	1	1						
26	2	119802-55730	CUP ASSY	1	1						
27	1	121750-59890	BAND, 140	1	1						

Fig.17. STARTING MOTOR



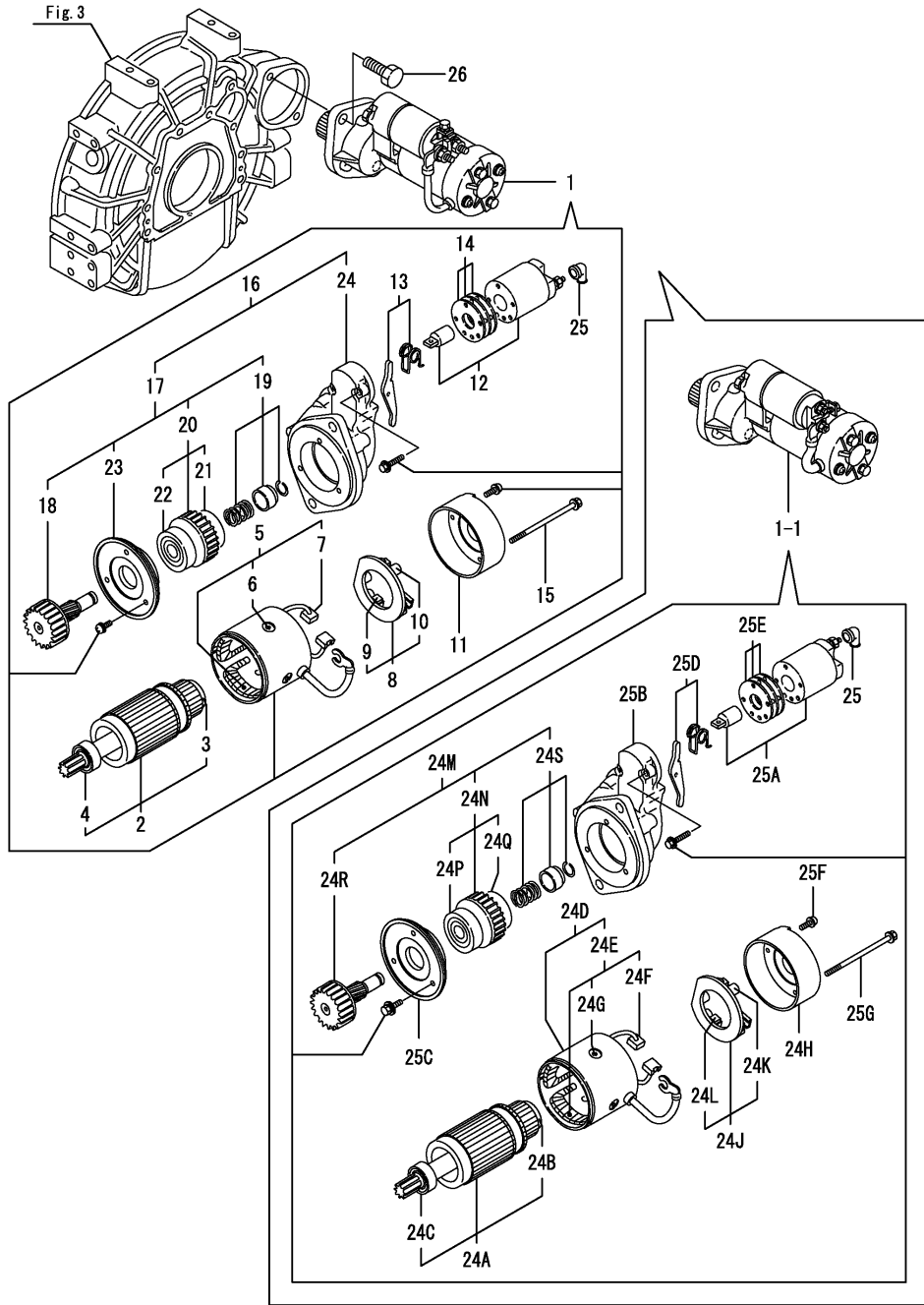
(A)=4TNV98-GPGE
(B)=4TNV98-IGPGE
(C)=

(D)=
(E)=
(F)=

No.	Lev.	Parts No.	Description	Q'ty						I	R
				(A)	(B)	(C)	(D)	(E)	(F)		
1	1	129900-77010	STARTER(2.3KW	1							
1-1	1	129900-77040	STARTER, 12V 2.3KW	1	1						R
		(A=EA5356)									
2	2	129900-77400	ARMATURE ASSY	1							Z
		(A=EA5356)									
3	3	X2114155110	BEARING, BALL	1							Z
		(A=EA5356)									
4	3	X2114255110	BEARING, BALL	1							Z
		(A=EA5356)									
5	2	129900-77440	COIL ASSY, FIELD	1							Z
		(A=EA5356)									
6	3	171008-77450	SCREW	4							Z
		(A=EA5356)									
7	3	129900-77450	BRUSH (+)	2							Z
		(A=EA5356)									
8	2	129900-77480	HOLDER ASSY, BRASH	1							Z
		(A=EA5356)									
9	3	129900-77450	BRUSH (+)	2							Z
		(A=EA5356)									
10	3	X2130631300	SPRING, BRUSH	4							Z
		(A=EA5356)									
11	2	129900-77460	COVER, REAR	1							Z
		(A=EA5356)									
12	2	129900-77591	SWITCH ASSY,MAGNETIC	1							Z
		(A=EA5356)									
13	2	129900-77620	SHIFT LEVER SET	1							Z
		(A=EA5356)									
14	2	129900-77650	COVER ASSY, DUST	1							Z
		(A=EA5356)									
15	2	129900-77640	BOLT, THROUGH	2							Z
		(A=EA5356)									
16	2	129900-77700	GEAR CASE ASY	1							Z
		(A=EA5356)									
17	3	129900-77510	PINION ASSY	1							Z
		(A=EA5356)									
18	4	129900-77540	SHAFT, PINION	1							Z
		(A=EA5356)									
19	4	129900-77550	STOPPER SET	1							Z
		(A=EA5356)									
20	4	129900-77520	CLUTCH ASSY	1							Z
		(A=EA5356)									
21	5	171008-77730	BALL BEARING (3)	1							Z
		(A=EA5356)									
22	5	171008-77740	BEARING	1							Z
		(A=EA5356)									
23	4	129900-77610	RETAINER, BEARING	1							Z
		(A=EA5356)									
24	3	129900-77710	HOUSING, GEARS	1							Z
		(A=EA5356)									
24A	2	129900-77120	ARMATURE ASSY	1	1						W
		(A=EA5356)									

N:Old $\xrightarrow{\text{Yes}}$ New, Q:Old $\xrightarrow{\text{No}}$ New, R:Old $\xrightarrow{\text{Yes}}$ New, S:Old $\xrightarrow{\text{No}}$ New, W:Add, Z:Discontinued, F:Interchangeable by set, K:Q'ty Change
 ++ CONTINUE ++
 Copyright (C) YANMAR CO., LTD. All Rights Reserved.

Fig.17. STARTING MOTOR



(A)=4TNV98-GPGE
 (B)=4TNV98-IGPGE
 (C)=

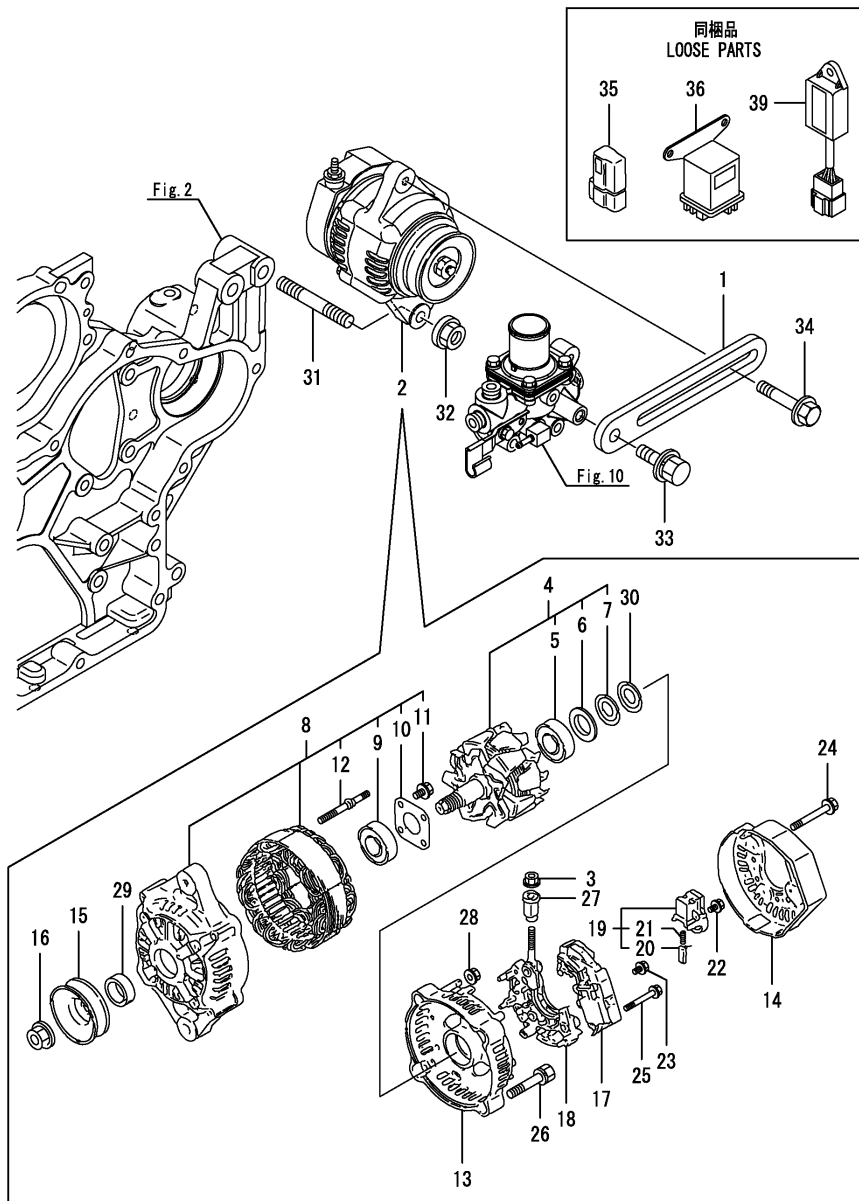
(D)=
 (E)=
 (F)=

No.	Lev.	Parts No.	Description	Qty						I	R
				(A)	(B)	(C)	(D)	(E)	(F)		
24B	3	171008-77410 (A=EA5356)	BEARING	1	1						W
24C	3	171008-77420 (A=EA5356)	BEARING	1	1						W
24D	2	129900-77130 (A=EA5356)	YOKE ASSY	1	1						W
24E	3	129900-77140 (A=EA5356)	COIL ASSY, FIELD	1	1						W
24F	4	129900-77450 (A=EA5356)	BRUSH (+)	2	2						W
24G	4	171008-77450 (A=EA5356)	SCREW	4	4						W
24H	2	129900-77150 (A=EA5356)	COVER	1	1						W
24J	2	129900-77160 (A=EA5356)	HOLDER ASSY, BRUSH	1	1						W
24K	3	X2130631300 (A=EA5356)	SPRING, BRUSH	4	4						W
24L	3	129900-77450 (A=EA5356)	BRUSH (+)	2	2						W
24M	2	129900-77170 (A=EA5356)	CLUTCH	1	1						W
24N	3	129900-77180 (A=EA5356)	CLUTCH ASSY	1	1						W
24P	4	X2114955020 (A=EA5356)	BALL BEARING	1	1						W
24Q	4	129900-77190 (A=EA5356)	BEARING, BALL	1	1						W
24R	3	129900-77270 (A=EA5356)	SHAFT, PINION	1	1						W
24S	3	171008-77670 (A=EA5356)	STOPPER SET, PINION	1	1						W
25	2	171008-77750	COVER, M TERMINAL	1	1						W
25A	2	129900-77280 (A=EA5356)	SWITCH ASSY	1	1						W
25B	2	129900-77290 (A=EA5356)	CASE, GEAR	1	1						W
25C	2	129900-77380 (A=EA5356)	RETAINER, BEARING	1	1						W
25D	2	129900-77390 (A=EA5356)	LEVER ASSY, SHIFT	1	1						W
25E	2	129900-77420 (A=EA5356)	COVER KIT	1	1						W
25F	2	129900-77430 (A=EA5356)	SCREW, M4X10	2	2						W
25G	2	129685-77640 (A=EA5356)	BOLT, THROUGH	2	2						W
26	1	26116-120302	BOLT, M12X 30 PLATED	2							
26-1	1	26106-120252 (A=EXXXXX)	BOLT, M12X 25 PLATED	2	2						R

Fig.18. GENERATOR

(A)=4TNV98-GPGE
(B)=4TNV98-IGPGE
(C)=

(D)=
(E)=
(F)=

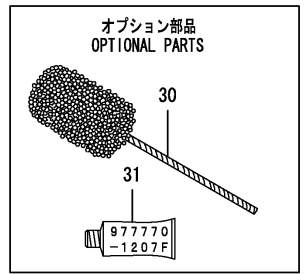
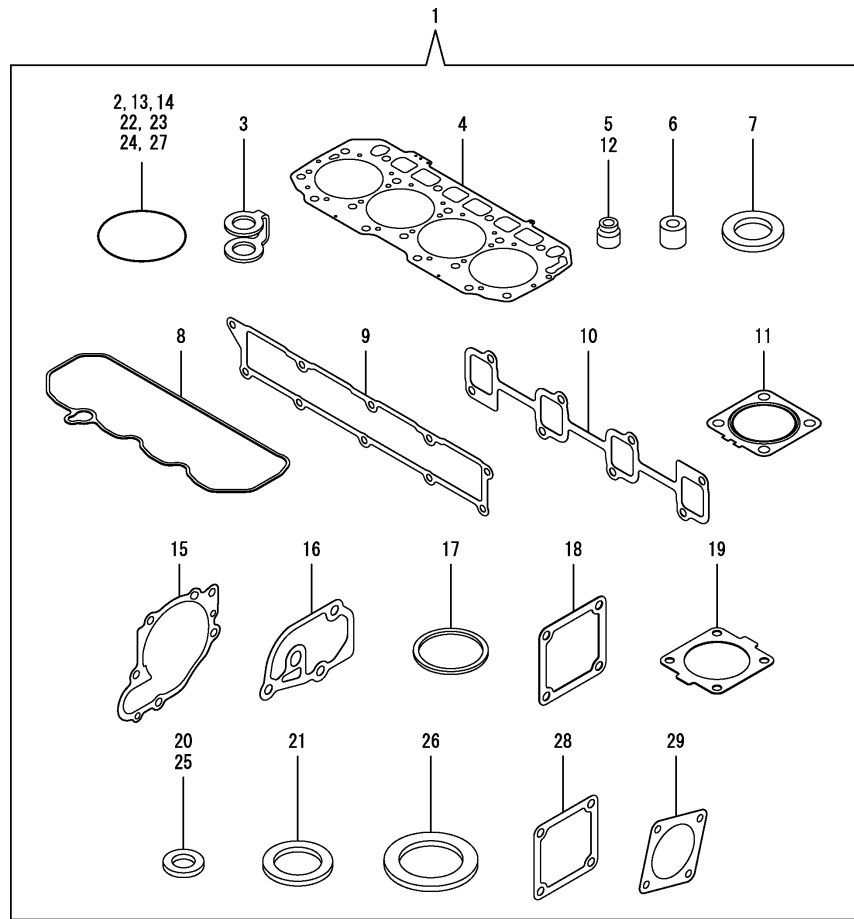


No.	Lev.	Parts No.	Description	Q'ty						I	R
				(A)	(B)	(C)	(D)	(E)	(F)		
1	1	129900-77330	ADJUSTER	1	1						
2	1	129423-77200	GENERATOR, 12V-40A	1	1						
3	2	X9490561001	NUT	1	1						
4	2	119620-77380	ROTOR ASSY	1	1						
5	3	123501-79240	BEARING, BALL	1	1						
6	3	119620-79250	COVER, BEARING	1	1						
7	3	119620-79360	WASHER, THRUST	1	1						
8	2	119620-77421	FRAME ASSY, DRIVE	1	1						
9	3	119620-79200	BALL BEARING	1	1						
10	3	119620-79210	PLATE, RETAINER	1	1						
11	3	119620-79220	SCREW	4	4						
12	3	119620-79230	STUD	2	2						
13	2	119620-77440	FLAME ASSY, REAR	1	1						
14	2	129240-79300	COVER	1	1						
15	2	119620-77461	PULLEY	1	1						
16	2	119620-77471	NUT	1	1						
17	2	129423-77710	REGULATOR ASSY	1	1						
18	2	119620-79260	HOLDER	1	1						
19	2	129052-79270	HOLDER, BRUSH	1	1						
20	3	119620-77480	BRUSH ASSY	2	2						
21	3	119620-79280	SPRING	2	2						
22	2	119620-79290	SCREW	1	1						
23	2	119620-79300	SCREW	1	1						
24	2	119620-79310	BOLT	3	3						
25	2	119620-79320	SCREW	2	2						
26	2	119620-79330	BOLT	2	2						
27	2	119620-79340	BUSH, INSULATION	1	1						
28	2	119620-79350	NUT	2	2						
29	2	119620-77490	COLLAR	1	1						
30	2	119620-79360	WASHER, THRUST	1	1						
31	1	129795-01900	STUD	1	1						
32	1	26306-100002	NUT, M10	1	1						
33	1	26014-080252	BOLT, M8X 25	1	1						
34	1	119810-77340	BOLT, ADJUSTER	1	1						
35	1	119643-66900	DIODE	1	1						
36	1	119650-77910	RELAY ASSY, GLOW	1							
36-1	1	119650-77911	RELAY ASSY, GLOW	1	1						N
(A=EG5981)											
39	1	129211-77920	TIMER	1	1						

Fig.19. GASKET SET

(A)=4TNV98-GPGE
(B)=4TNV98-IGPGE
(C)=

(D)=
(E)=
(F)=



No.	Lev.	Parts No.	Description	Q'ty						I	R
				(A)	(B)	(C)	(D)	(E)	(F)		
1	1	729946-92650	GASKET SET	1	1						1
2	2	24341-000240	O-RING, 1AS24.0	1	1						
3	2	123907-59550	GASKET	5	5						
4	2	129907-01331	GASKET, HEAD	1	1						
5	2	124160-11340	SEAL, VALVE STEM	8	8						
6	2	119802-11870	PROTECTOR, NOZZLE	4	4						
7	2	119625-11880	SEAT, NOZZLE	4	4						
8	2	129933-11310	GASKET, BONNET	1	1						
9	2	129907-12110	GASKET, MANIFOLD	1	1						
10	2	129900-13251	GASKET	1	1						
11	2	129930-13201	GASKET, SILENCER	1	1						
12	2	119803-11340	SEAL, VALVE STEM	8	8						
13	2	129900-32030	O-RING, P20	2	2						
14	2	129900-32040	O-RING, P14	1	1						
15	2	129900-42020	GASKET, WATER PUMP	1	1						
16	2	129900-49870	GASKET	1	1						
17	2	121850-49550	GASKET, THERMOSTAT	1	1						
18	2	121850-77021	GASKET	2	2						
19	2	121850-49540	GASKET, THERMOSTAT	1	1						
20	2	23414-080000	GASKET, 8X1.0	1	1						
21	2	124465-44950	GASKET, 16	2	2						
22	2	24311-000070	O-RING, 1AP7.0	1	1						
23	2	24311-000120	O-RING, 1AP12.0	8	8						
24	2	24311-000320	O-RING, 1AP32.0	2	2						
25	2	22190-080002	WASHER, SEAL 6	6	6						
26	2	22190-220002	WASHER, SEAL 22	1	1						
27	2	24351-030750	O-RING, 1A3075	1	1						
28	2	119129-77020	GASKET	1	1						
29	2	124240-01883	GASKET	1	1						
30	1	129400-92450	HONE	1	1						1
31	1	977770-1207F	GASKET.LIQUID	1	1						1

Remarks
(1)Optional parts.

Parts No. Index

Parts No.	Fig. No.	Ref. No.
105025-59750	16	7
114250-39450	9	14
114250-53080	15	5
114250-53120	15	9
114250-53130	15	10
114250-53140	15	11
114250-53210	15	12
114250-53400	15	13
119000-01840	3	3
119000-35140	9	5
119005-35151	9	4 -1
119005-77051	5	17
119129-77020	5	15
	19	28
119129-77520	5	18
119130-44760	10	17
119131-18320	6	6
119160-12530	5	8
119160-12540	5	9
119160-12570	5	10 B
119225-52102	16	20
119255-44660	10	53
119305-59120	15	27
119593-11301	4	28
119620-11180	4	15
119620-77380	18	4
119620-77421	18	8
119620-77440	18	13
119620-77461	18	15
119620-77471	18	16
119620-77480	18	20
119620-77490	18	29
119620-79200	18	9
119620-79210	18	10
119620-79220	18	11
119620-79230	18	12
119620-79250	18	6
119620-79260	18	18
119620-79280	18	21
119620-79290	18	22
119620-79300	18	23
119620-79310	18	24
119620-79320	18	25
119620-79330	18	26
119620-79340	18	27
119620-79350	18	28
119620-79360	18	7
		30
119625-11880	4	26
	19	7

Parts No.	Fig. No.	Ref. No.
119640-01640	3	7
119640-61400	4	61
119643-66900	18	35
119650-77910	18	36
119650-77911	18	36 -1
119653-77950	12	100
	14	103
119660-61901	12	60
	14	59
119802-11870	4	47
	19	6
119802-51590	11	59
	13	64
119802-51600	11	60
	13	65
119802-51680	11	64
	13	69
119802-51690	11	65
	13	70
119802-55700	16	21
119802-55710	16	22
119802-55730	16	26
119802-55801	16	2
119803-11340	4	17
	19	12
119803-53400	15	13 -1
119807-61420	12	23
	14	24
119810-77340	18	34
120130-22301	8	20
120445-44540	10	60
121250-44901	10	37
121450-42450	10	36
121520-34810	9	2
121750-59890	16	27
121820-12590	5	10
121850-21130	8	10
121850-21290	8	4
121850-21680	8	9
121850-21920	8	5
121850-49540	10	20
	19	19
121850-49550	10	21
	19	17
121850-49810	10	23
121850-49811	10	23 -1
121850-77021	5	12
		16
	19	18
122780-59100	15	26

Parts No.	Fig. No.	Ref. No.
123501-79240	18	5
123900-13610	6	4
123900-13630	6	5
123900-25060	7	9
123907-03100	4	55
123907-03110	4	56
123907-03120	4	57
123907-03140	4	58
123907-11280	4	33
123907-11550	4	4
123907-11601	15	25
123907-11820	4	22
123907-11830	4	21
123907-39500	9	20
123907-59540	16	13
123907-59550	16	14
	19	3
123907-59560	16	18
124160-01751	2	34
	4	50
124160-11340	4	16
	19	5
124160-11360	4	64
124240-01871	2	36
124240-01883	2	37
	19	29
124411-01780	3	5
124465-44950	10	38
		39
	19	21
124722-59050	10	43
		46
	16	16
124766-59050	16	5
		9
126650-12680	5	10 A
127410-21480	8	13
129001-91810	2	24
		25
129004-55612	16	1
129005-59830	9	22
129008-51920	11	3 G
	13	12
129052-79270	18	19
129100-01580	2	4
	3	1
129100-55690	16	23
129107-44590	10	49
129150-02450	7	4
129150-11230	4	36

Parts No.	Fig. No.	Ref. No.
129150-11230	4	40
129150-11750	4	20
		37
		41
129150-14200	7	1
129150-25920	7	13
129150-35153	9	4
129150-59131	15	30
		34
129150-91400	2	39
129155-51280	12	5
	14	6
129155-61460	12	28
	14	27
129211-77920	18	39
129240-79300	18	14
129255-61410	12	22
	14	23
129400-92450	19	30
129423-77200	18	2
129423-77710	18	17
129457-59010	16	4
129486-59551	16	15
129508-44550	10	48
129509-51390	11	20 A
	13	25
	15	31
129550-59120	15	31
129612-12650	5	10 C
129685-77640	17	25 G
129795-01900	18	31
129900-01200	1	27
129900-01250	1	4
129900-01740	2	5
129900-01850	2	42
129900-01870	2	43
129900-02020	1	6
129900-02341	1	33
129900-02410	1	9
129900-02931	1	24
129900-02941	1	36
129900-13251	6	3
	19	10
129900-14100	7	6
129900-21200	8	3
129900-21640	8	8
129900-23001	8	22
129900-23200	8	25
129900-23601	8	26
129900-23611	8	29
129900-23911	8	28

Parts No. Index

Parts No.	Fig. No.	Ref. No.
129900-25100	7	10
129900-32001	2	8
129900-32030	2	21
	9	6
	19	13
129900-32040	2	22
	19	14
129900-42020	10	11
	19	15
129900-42461	10	15
129900-42462	10	15 -1
129900-49870	10	32
	19	16
129900-77010	17	1
129900-77040	17	1 -1
129900-77120	17	24 A
129900-77130	17	24 D
129900-77140	17	24 E
129900-77150	17	24 H
129900-77160	17	24 J
129900-77170	17	24 M
129900-77180	17	24 N
129900-77190	17	24 Q
129900-77270	17	24 R
129900-77280	17	25 A
129900-77290	17	25 B
129900-77330	18	1
129900-77380	17	25 C
129900-77390	17	25 D
129900-77400	17	2
129900-77420	17	25 E
129900-77430	17	25 F
129900-77440	17	5
129900-77450	17	7
		9
		24 F
		24 L
129900-77460	17	11
129900-77480	17	8
129900-77510	17	17
129900-77520	17	20
129900-77540	17	18
129900-77550	17	19
129900-77591	17	12
129900-77610	17	23
129900-77620	17	13
129900-77640	17	15
129900-77650	17	14
129900-77700	17	16
129900-77710	17	24

Parts No.	Fig. No.	Ref. No.
129902-21000	8	1
129906-51580	11	57
	13	62
129907-01190	1	29
129907-01331	1	28
	19	4
129907-01500	2	7
129907-01950	11	129
	13	134
129907-01960	11	130
	13	135
129907-03011	4	52
129907-03061	4	53
129907-03070	4	54
129907-07900	4	1
129907-11100	4	12
129907-11110	4	13
129907-11120	4	14
129907-11250	4	30
129907-11260	4	31
129907-11270	4	32
129907-11321	4	51
129907-11341	4	29
129907-11510	4	18
129907-11650	4	34
129907-11660	4	38
129907-11700	4	5
129907-11800	4	25
129907-11910	4	67
129907-11920	4	42
129907-11950	4	48
129907-12110	5	2
	19	9
129907-13200	6	1
129907-14400	7	2
129907-14581	7	3
129907-21660	8	7
129907-22050	8	16
129907-22051	8	16 -1
129907-22090	8	14
129907-25900	7	15
129907-39061	9	18
129907-42000	10	1
129907-42001	10	1 -1
129907-44560	10	54
129907-44600	10	50
129907-44610	10	51
129907-49610	10	40
129907-49620	10	44
129907-49710	10	41

Parts No.	Fig. No.	Ref. No.
129907-49720	10	45
129907-49730	10	22
129907-49750	10	42
129907-49800	10	18
129907-51560	11	53
	13	58
129907-55801	16	2 -1
129907-59140	16	12
129907-59710	15	35
129907-59810	15	37
129907-59820	15	38
129907-59830	15	39
129907-59840	15	40
129908-14581	7	3 -1
129910-07900	4	2
129915-01610	3	2
129915-77051	5	13
129916-01790	3	5 -1
129916-01800	2	3
129916-21610	8	9 -1
129916-44740	10	16
129916-49530	10	19
129916-59020	11	127
	13	132
129920-21580	8	11
129928-51900	11	3 F
	13	11
129930-13201	6	2
	19	11
129933-11310	4	60
	19	8
129933-12500	5	6
129935-12520	5	7
129937-12500	5	6 -1
129937-53000	15	2
129937-61440	12	25
	14	26
129940-42320	10	14
129940-44500	10	47
129944-12110	5	1
129944-12111	5	1 -1
129944-12230	5	5
129944-12620	5	11
129946-61061	12	86
	14	89
129950-59221	16	10
129951-01740	2	5 -1
129953-25300	7	16
129953-34830	9	1
129953-35000	9	7

Parts No.	Fig. No.	Ref. No.
129957-59120	16	6
129980-59510	16	11
129981-49050	10	55
129981-49062	10	56
129981-59010	16	8
129982-01710	3	6
144626-51090	11	9
	13	13
158552-51570	11	54
158552-51571	11	54 -1
	13	59
158552-51580	11	58
	13	63
158552-51670	11	125
	13	130
158552-51781	11	96
	13	101
158552-52100	11	102
	13	110
158552-52310	11	104
158552-52311	11	104 -1
	13	112
158552-52400	11	105
	13	113
158552-52500	11	103
	13	111
158552-61900	12	74
	14	75
158553-51551	11	51
	13	56
158553-51630	11	69
	13	74
158553-51640	11	71
	13	76
158553-51660	11	73
	13	78
158553-51670	11	63
	13	68
158553-51680	11	74
	13	79
158553-51930	11	100 -1
	13	104
158557-51570	11	55
	13	60
158560-51600	11	68
	13	73
158560-61050	12	2
	14	3
158560-61071	12	3
	14	4

Parts No. Index

Parts No.	Fig. No.	Ref. No.
158560-61430	12	24
	14	25
158563-51150	11	12
	13	16
158563-51281	11	19
		20
	13	23
		24
158563-51330	11	29
	13	34
158600-51270	11	18
	13	22
158601-51550	11	52
	13	57
158601-51570	11	56
	13	61
158601-51650	11	72
	13	77
158601-51770	11	95
	13	100
158601-51790	11	97
	13	102
171008-77410	17	24 B
171008-77420	17	24 C
171008-77450	17	6
		24 G
171008-77670	17	24 S
171008-77730	17	21
171008-77740	17	22
171008-77750	17	25
171051-01921	1	5
171056-49120	10	31
22190-080002	9	15
		16
		23
	16	19
	19	25
22190-120002	11	98
		107
		108
	13	105
		114
		115
22190-160002	12	78
	14	80
22190-180002	11	99
		109
	13	106
		116
22190-220002	3	9

Parts No.	Fig. No.	Ref. No.
22190-220002	19	26
22217-180000	11	110
	13	117
22252-000300	8	21
22312-050140	11	111
	13	118
22351-050010	11	112
	13	119
22351-060012	1	10
22512-070140	7	7
	8	6
22857-500100	4	62
		63
23000-060000	10	57
23000-080000	10	61
23000-090000	10	62
23000-102000	10	62 -1
23414-080000	10	33
	19	20
23857-030000	9	24
23857-060000	11	113
	13	120
23875-030000	10	27
23876-020000	4	9
23876-030000	1	11
		12
		13
	4	10
23887-120002	11	100
23887-160002	12	81
	14	82
24311-000070	2	23
	11	114
	13	121
	19	22
24311-000120	4	27
		65
	19	23
24311-000160	16	25
24311-000320	2	35
	4	66
	19	24
24321-000650	16	24
24341-000240	2	40
	19	2
24351-030750	2	26
	19	27
24356-010200	11	66
		115
24356-020210	11	116

Parts No.	Fig. No.	Ref. No.
24356-190200	11	66 -1
		115 -1
	13	71
		122
24356-240210	11	116 -1
	13	123
24372-000150	11	67
	13	72
26014-060122	10	52
26014-080252	18	33
26106-060102	11	117
	12	64
		65
	13	124
	14	65
		66
26106-060122	10	28
26106-060142	12	82
	14	83
26106-060162	2	41
	15	41
26106-060202	10	29
26106-060252	12	83
	14	84
26106-060302	10	12
26106-060352	11	118
	13	125
26106-060402	12	84
	14	85
26106-080122	3	10
	9	3
		12
		17
	10	34
26106-080162	2	27
		28
		38
		44
	4	3
	7	8
	9	13
	11	131
	13	136
26106-080182	15	42
26106-080202	2	27 -1
		29
26106-080222	11	132
		133
	13	137
		138

Parts No.	Fig. No.	Ref. No.
26106-080302	10	30
	16	3
26106-080352	5	14
26106-080402	2	30
		31
	4	44
26106-080452	2	31 -1
		32
	5	3
26106-080552	7	14
	10	13
26106-080602	4	45
		46
	10	35
26106-080702	2	24 -1
		25 -1
26106-080752	2	25 -2
26106-080802	5	4
26106-100202	11	134
	13	139
26106-120252	17	26 -1
26116-120302	17	26
26206-100352	3	4
26216-100302	2	20
26226-080222	4	43
26306-080002	4	49
	6	7
26306-100002	2	33
	18	32
26450-100452	11	121
	13	126
26756-060002	12	66
	14	67
26776-180002	11	122
	13	127
27241-300000	1	14
27241-400000	4	11
27310-070001	4	23
720445-44200	10	58
729900-02801	1	30
729907-01560	1	1
729907-01590	2	1
729907-22910	8	31
729907-22950	8	33
729946-51320	13	1
729946-51390	11	1
729946-53300	15	1
729946-92650	19	1
977770-1207F	19	31
X2114155110	17	3

Parts No. Index

Parts No.	Fig. No.	Ref. No.
X2114255110	17	4
X2114955020	17	24 P
X2130631300	17	10
		24 K
X9490561001	18	3

Parts No.	Fig. No.	Ref. No.
-----------	----------	----------

Parts No.	Fig. No.	Ref. No.
-----------	----------	----------

Parts No.	Fig. No.	Ref. No.
-----------	----------	----------